

# Technical data

Pump name

3LSF4 65-200/2.2

Customer	Date 19-May-2020	Company
Contact	Item no.	Issued by
Phone	Project	Phone
E-mail	Project ID	E-mail

## Requested data

1	Pump type	CENTRIFUGAL PUMPS	Fluid	Water, clean
2	Number of pumps / Reserve	1 / 0	Liquid temperature	K 293
3	Flow l/min	0	Kin. viscosity	mm <sup>2</sup> /s 1
4	Head m	0	Vapour pressure	kPa 2.2
5	Geodetic head m	0	PH value	7
6	Inlet pressure (pin) kPa	10	Density	kg/m <sup>3</sup> 1000
7	Available system NPSH	0	Solids	Weight % 0
8	Ambient temperature	K 290		

## Pump

9	Pump name	3LSF4 65-200/2.2	Frequency	Hz 50
10	Design	CENTRIFUGAL PUMPS	Installation type	STANDARD
11	Manufacturer	EPE	Impeller Diameter	Max. mm 201
12	Speed 1/min	1400		Designed mm 201
13	No. of Stage	1		Min. mm 201
14	Connection Suction side	DIN 2532	Flow	Operating l/min
15	Connection Discharge side	DIN 2532		Max- l/min 1100
16	Max Working Pressure kPa	1000		Min- l/min 350
17	Shut-off head kPa	141.92	Head	Operating m
18	Total weight kg	See the table of "Dimensions".		- (Qmax.) m 7.8
19	Shaft power kW			- (Qmin.) m 13.8
20			Max. Shaft Power at max. impeller	kW 2.12
21	Required pump NPSH m		Efficiency	%

## Materials

22	Impeller	AISI 316		
23	Casing	AISI 316L		
24	Shaft	AISI 316L		
25				
26				
27				

## Motor

28	Manufacturer	without motor	Insulation class	
29	Type	without motor 3	Phases	3~
30	Specific design	without motor / 50 Hz / Pole pairs 2	Frame size	
31	Rated power kW	-	Weight	kg 0
32	Number of poles	4	Electric voltage	V 0
33	Speed 1/min	-	Electric current	A 0
34	Degree of protection	--		
35				

## Remarks

--

# Performance curve Pump name 3LSF4 65-200/2.2

Customer	Date	19-May-2020	Company
Contact	Item no.		Issued by
Phone	Project		Phone
E-mail	Project ID		E-mail

### Requested data

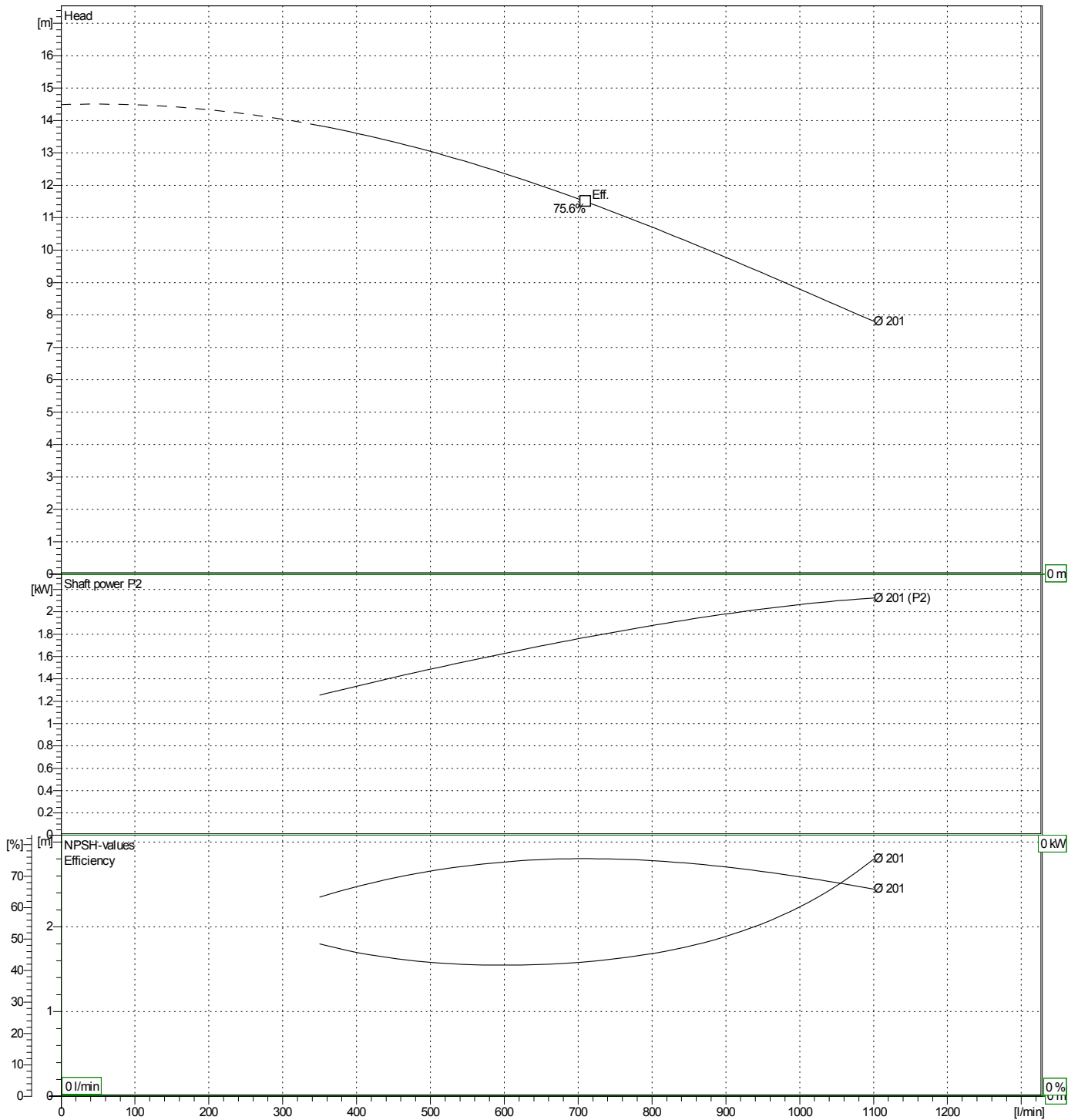
1	Flow	l/min	0
2	Head	m	0
3	Geodetic head	m	0

### Pump

Operating Flow	l/min		Frequency	Hz	50
Operating Head	m		Number of poles		4
Impeller Diameter	Designed mm	201	Speed	1/min	

Test standard: ISO 9906:2012 - Grade3B

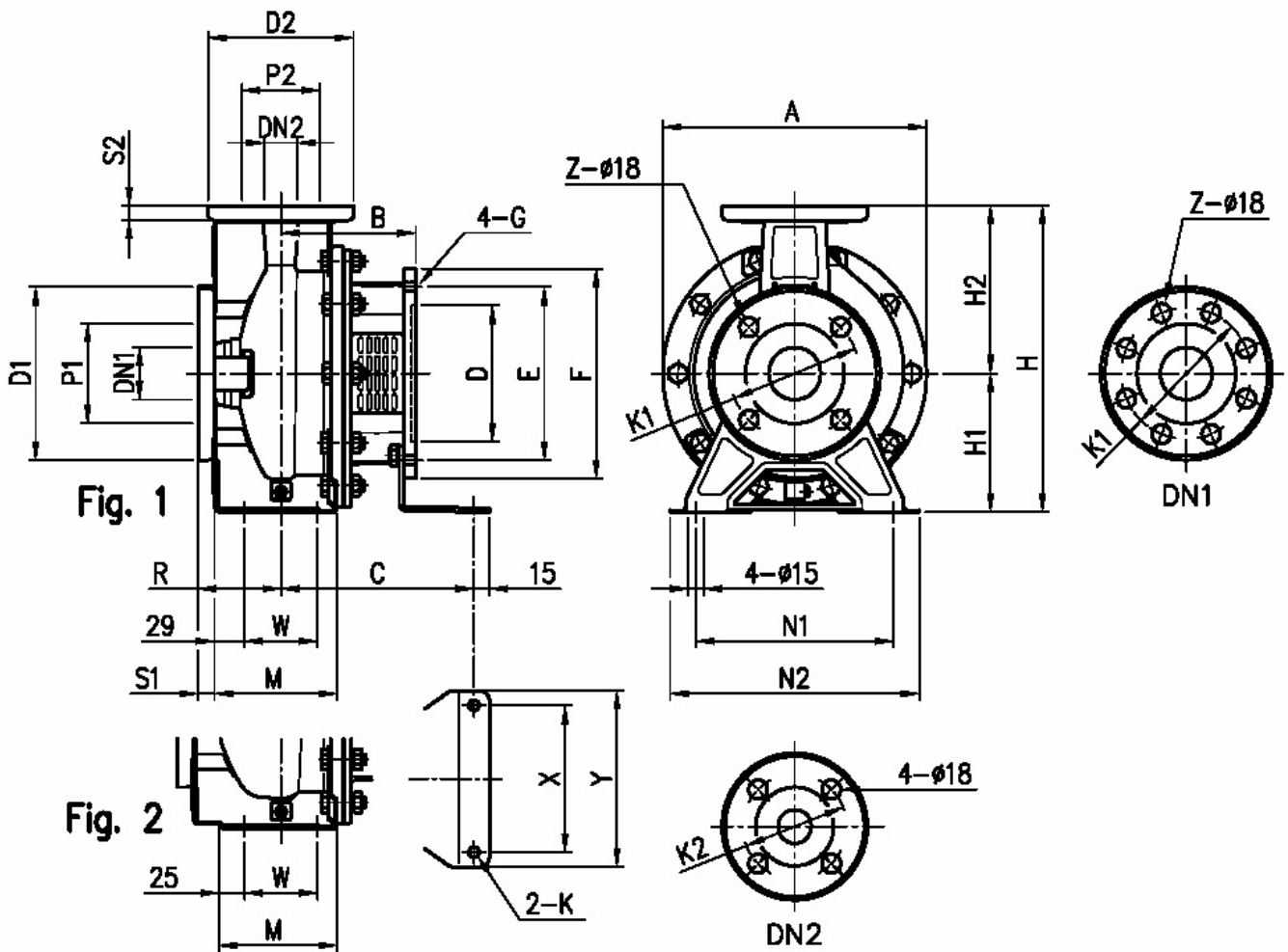
Water, clean [100%] ; 293K; 998.3kg/m<sup>3</sup>; 1mm<sup>2</sup>/s



# Dimensions

Pump name 3LSF4 65-200/2.2

Customer	Date 19-May-2020	Company
Contact	Item no.	Issued by
Phone	Project	Phone
E-mail	Project ID	E-mail

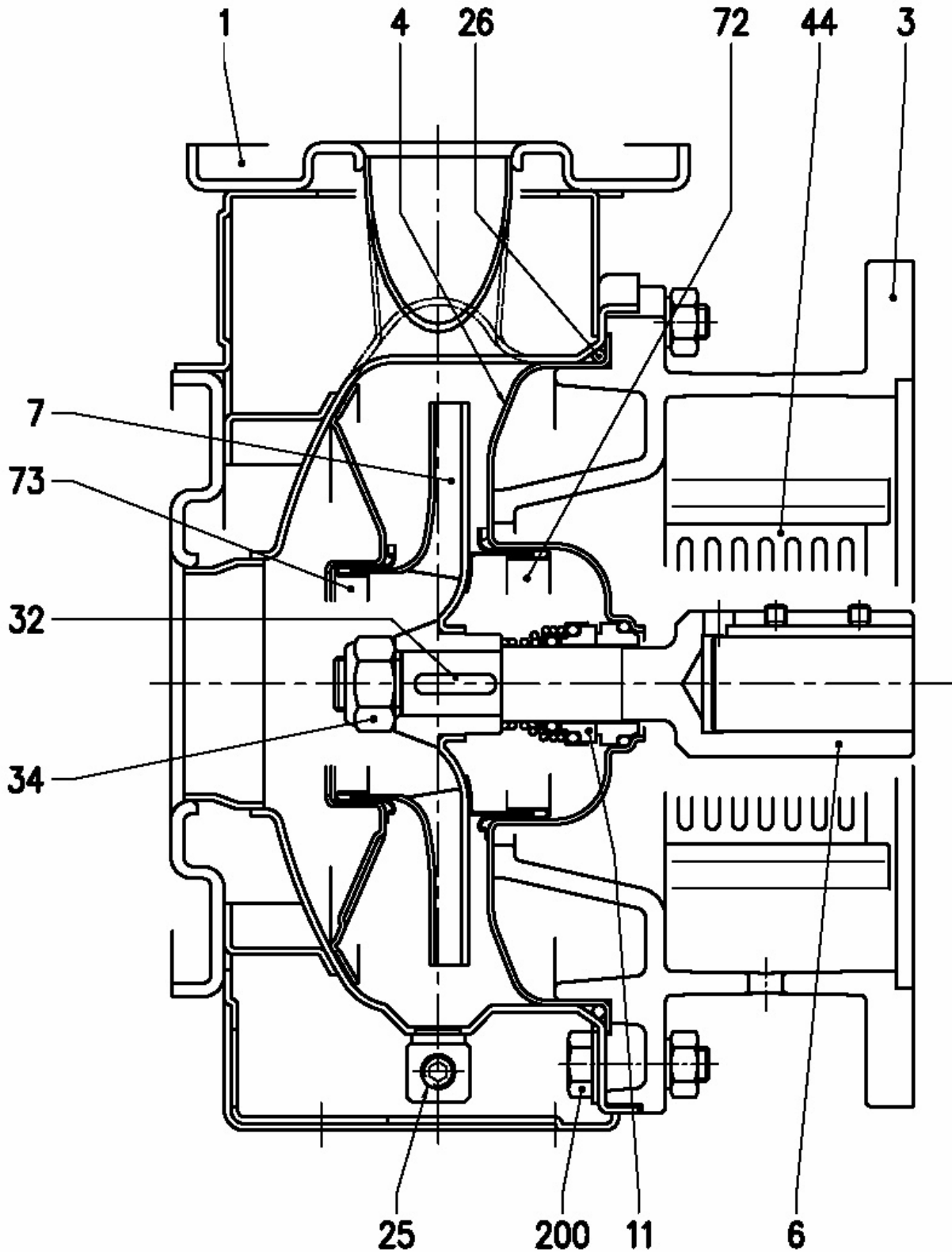


Dimensions in		mm						
1	Dia D1	200	N2	320				
2	Dia D2	185	S1	18				
3	Dia DN1	80	W	95				
4	Dia DN2	65	Weight PUMP	29,5 kg				
5	Dia K1	160	Z	8				
6	Dia K2	145						
7	Dia P1	134						
8	Dia P2	115						
9	H	405						
10	H1	180						
11	H2	225						
12	M	140						
13	N1	250						

# (1/3) Construction

Pump name 3LSF4 65-200/2.2

Customer	Date 19-May-2020	Company
Contact	Item no.	Issued by
Phone	Project	Phone
E-mail	Project ID	E-mail



**(2/3)****Construction**

Pump name 3LSF4 65-200/2.2

Customer	Date 19-May-2020	Company
Contact	Item no.	Issued by
Phone	Project	Phone
E-mail	Project ID	E-mail

N°	PART NAME	MATERIAL		DIMENSIONS	STANDARD	Q.TY	
		3SF4	3LSF4				
1	Casing	EN 1.4301 (AISI 304)	EN 1.4404 (AISI 316L)			1	
3	Motor bracket	Cast iron EN-G JL-200-EN 1561				1	
4	Casing cover	EN 1.4301 (AISI 304)	EN 1.4404 (AISI 316L)			1	
6	Coupling - Part in contact with liquid	EN 1.4301 (AISI 304)	EN 1.4404 (AISI 316L)			1	
7	Impeller	32, 40, 50	EN 1.4301 (AISI 304)	EN 1.4404 (AISI 316L)		1	
		65-125/160/200	EN 1.4401 (AISI 316)				
11	Mechanical seal [3]	Carbon/Ceramic/NBR	SiC/SiC/FPM			1	
25	Drain plug	EN 1.4401 (AISI 316) / PTFE		R 1/8" L=8	DIN 906	1	
26	"O" ring	NBR [4]	FPM [3]	32-125, 40-125	158.11x5.34	OR 6625	1
				32-160, 40-160 , 50-125, 65-125	183.52x5.34	OR 6720	
				32-200, 40-200, 50-160, 50-200, 65-160, 65-200	227.96x5.34	OR 6895	
32	Key	EN 1.440 1 (AISI 316)		6x6x25	UNI 6604	1	
34	Impeller nut	Other model 50-200/2.2	EN 1.4301 (AISI 304)	EN 1.4404 (AISI 316L)	M16x1.5	UNI 7474	1
					M18x1.5		
44	Protection	EN 1.430 1 (AISI 304)			EBARA DRAWING	2	
72	Casing ring (not for 65 version) [1]	EN 1.4301 (AISI 304)	EN 1.4404 (AISI 316L)			1	
73	Casing ring (not for 65 version)	EN 1.4301 (AISI 304)	EN 1.4404 (AISI 316L)			1	
200	Screw	32-125, 40-125 40-160, 40-200 , 50-125, 50-160, 50-200, 65-125 , 65-160, 65-200	Stainless steel A2 70 class ISO 3506/1	M 8x30	UNI 5739	[2]	
				M 10x35	UNI 5739		

[1] Only for version 32-200, 40-200, 50-160, 50-200

[2] N° for 1 unit=10 for 32-160, 40-160, 50-125, 65-125

N° for 1 unit=12 for 32-200, 40-200, 50-160, 50-200, 65-160, 65-200

[3] Special version: see CONSTRUCTION 3

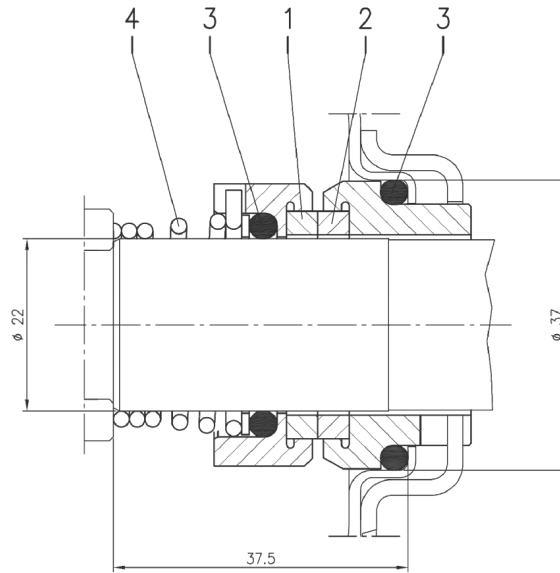
[4] FPM for H-HS-HW-HSW version

EPDM for E version , Q1AEGG, U3U3EGG, Q1Q1EGG, Q1U3EGG, U3CEGG

# (3/3) Construction

Pump name 3LSF4 65-200/2.2

Customer	Date 19-May-2020	Company
Contact	Item no.	Issued by
Phone	Project	Phone
E-mail	Project ID	E-mail



Version	Pump type	Material			
		1 Stationary seal ring	2 Rotary seal ring	3 Rubber	4 Frame + spring
L ø22	32-125/160/200 40-125/160/200 50-125/160/200 65-125/160/200 80-160	SiC	SiC	FPM	EN 1.4571 (AISI 316Ti)