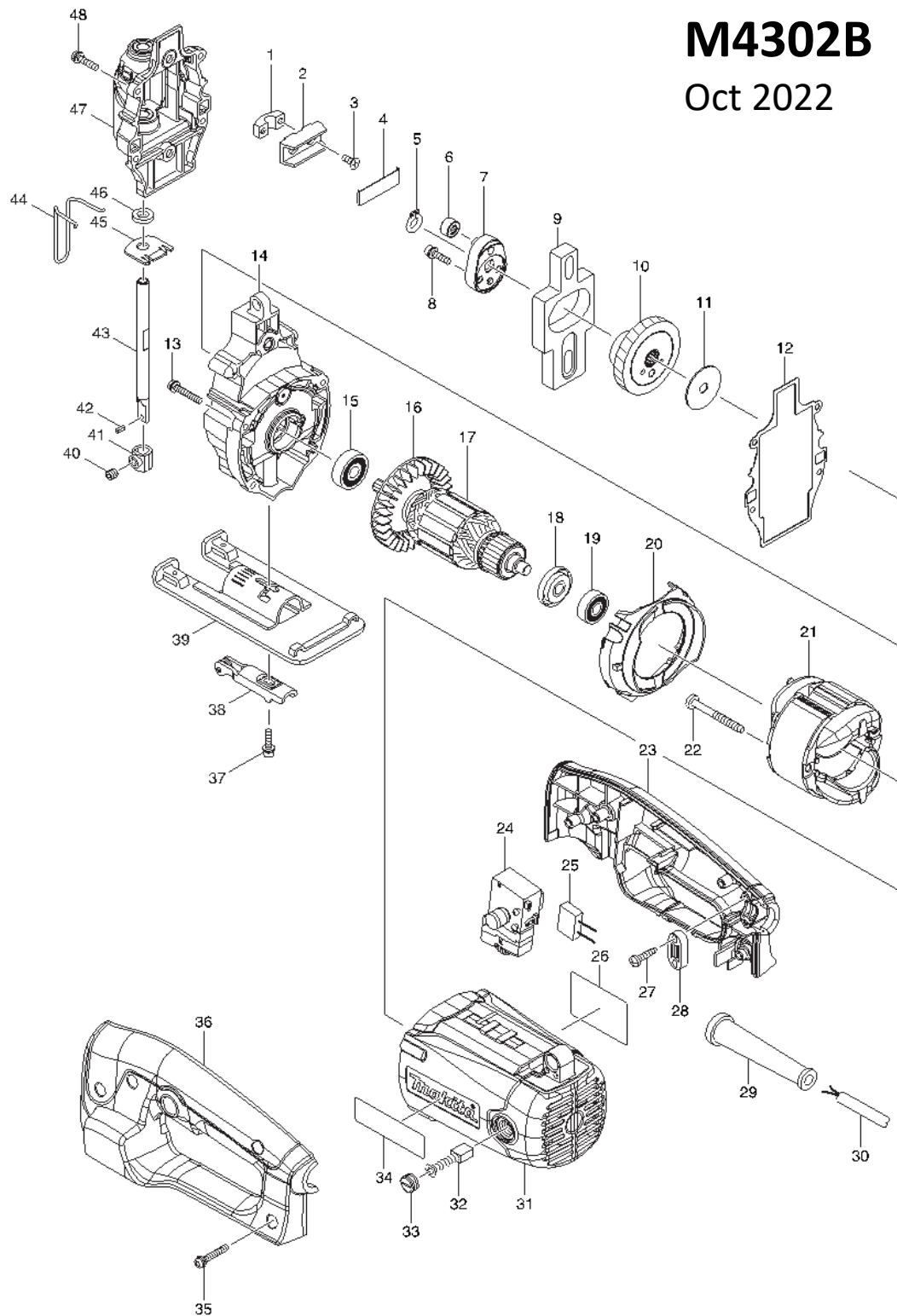


# M4302B

Oct 2022



REF NO.	PARTS NO.	DESCRIPTION	ราคาตั้ง (บาท)
1	318371-4	SLIDER SUPPORT	130
2	325600-8	SLIDER BLOCK	300
3	265035-0	COUNTERSUNK HEAD SCREW M4X10	80
4	346057-0	THRUST PLATE	50
5	961004-6	RETAINING RING S-8	20
6	212960-6	NEEDLE BEARING 607	290
7	158873-6	CRANK PLATE COMPLETE	210
8	922122-5	HEX.SOCKET HEAD BOLT M4X14	50
9	313161-0	BALANCE PLATE	410
10	158913-0	HELICAL GEAR 49 COMPLETE	790
10	212953-3	NEEDLE BEARING 810	130
11	267402-5	FLAT WASHER 8	50
12	442145-2	PACKING	220
13	265101-3	PAN HEAD SCREW M4X25	110
14	158870-2	GEAR HOUSING COMPLETE	720
15	210063-0	BALL BEARING 629ZZ	150
16	240118-7	FAN 65	120
17	513783-8	ARMATURE ASSY 220V	
18	681644-1	INSULATION WASHER	60
19	210029-0	BALL BEARING 608ZZ	130
20	450933-3	BAFFLE PLATE	110
21	594588-5	FIELD ASSY 220-240V	
21	654450-7	RING TERMINAL	40
21	654485-8	PARALLEL SPLICE	20
22	266466-6	TAPPING SCREW 5X45	50
23	188618-8	HANDLE SET	360
24	650616-7	SWITCH DGQ-1104H-02	600
26	853P99-8	M4302 NAME PLATE	
27	266326-2	TAPPING SCREW 4X18	30
28	687124-5	STRAIN RELIEF	70
29	682569-2	CORD GUARD 8-85	110
30	691284-7	POWER SUPPLY CORD 0.75-2-2.0	290
31	144746-9	MOTOR HOUSING SET	660
31	643455-2	BRUSH HOLDER 6X9	130
32	B-80391	CARBON BRUSH SET CB-411A	180
33	643987-9	BRUSH HOLDER CAP 5-8	90
35	265101-3	PAN HEAD SCREW M4X25	110
36	188618-8	HANDLE SET	360
37	922128-3	HEX. SOCKET HEAD BOLT M4X16	30
38	158869-7	RETAINER COMPLETE	170
39	165555-3	BASE	300
40	266338-5	H.S.SET SCREW(FLAT POINT)M6X6	50
41	325601-6	BLADE CLAMP	240
42	258002-2	SPRING PIN 3-6	30
43	168514-6	SLIDER	400
44	325602-4	SAFETY WIRE	90
45	346031-8	PLATE	60
46	424175-5	POLYURETHANE SPONGE SEAL	50
47	158871-0	GEAR HOUSING COVER COMPLETE	540
48	265112-8	+PAN HEAD SCREW M4X18	70
A01	A-86561	JIG SAW BLADE NO.51	530
A02	A-85656	JIGSAW BLADE NO.B13	330
A03	783201-2	HEX. WRENCH 3	50