

PARTS LIST

HT238P

CONTENTS

1. MAIN BODY	1 ~ 4
2. ENGINE	5 ~ 8
3. CARBURETOR, FUEL TANK	9 ~ 10
4. ACCESSORIES	11 ~ 12

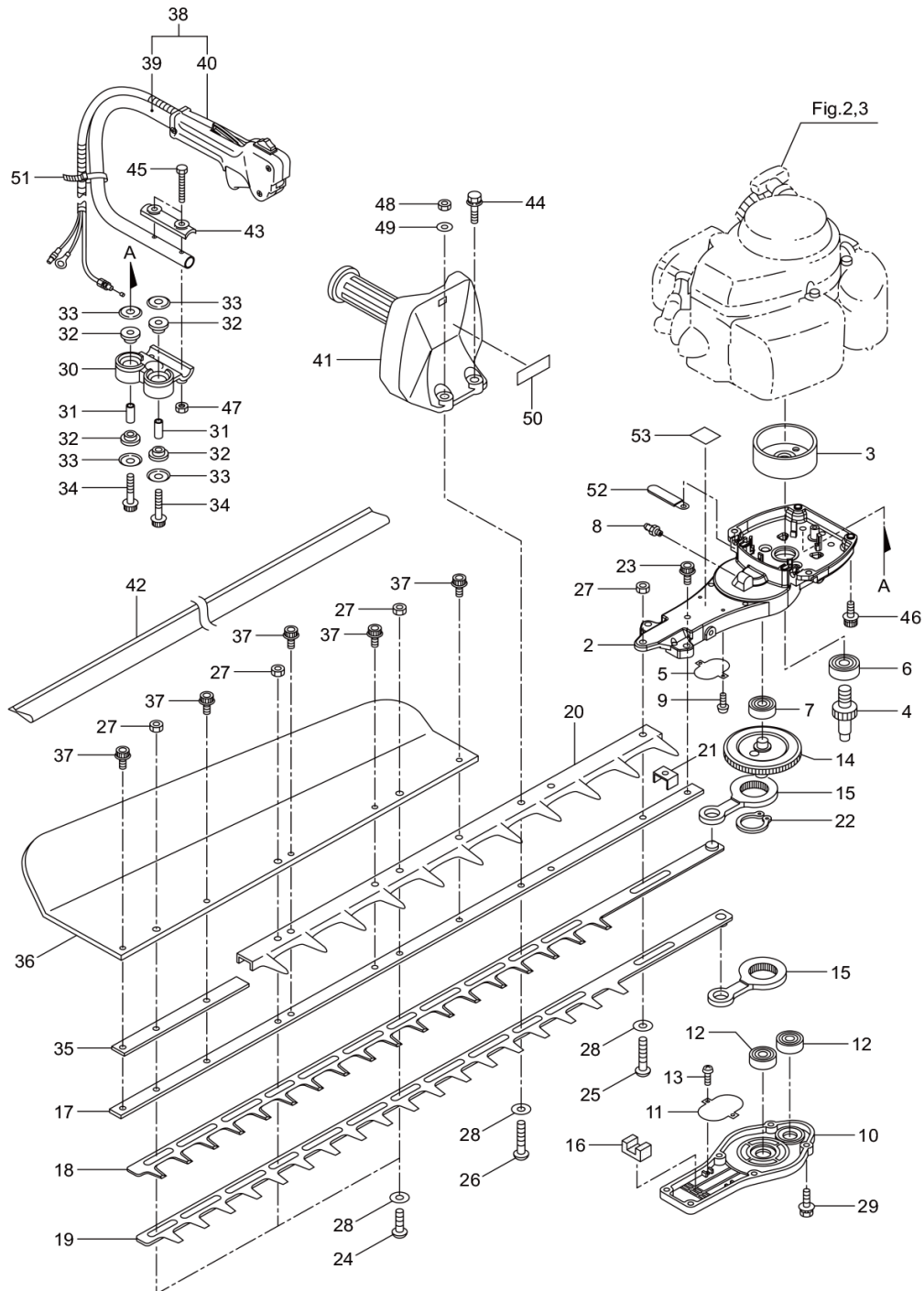
2019. 11.



MARUYAMA

P/N 524874

1. HT238P
MAIN BODY



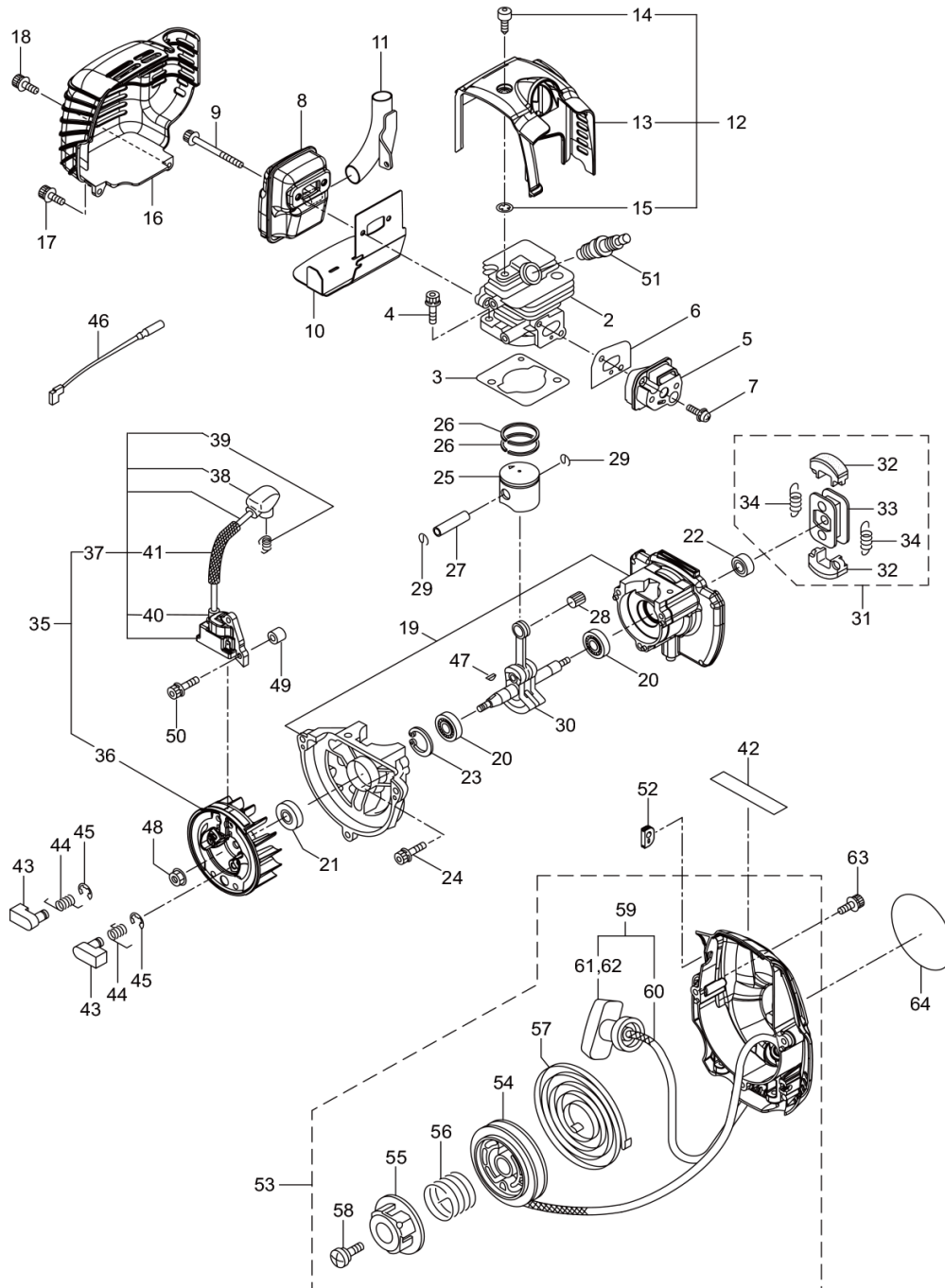
- 1 -

1

Status	Position	Parts Number	Parts Name	Unit	Quantity	Set Unit	Quantity	Specification	Remarks	Maker code
	1	362465	HT238P(TH)	1						
	2	279077	UPPER CASE	1				TE5-A038000		
	3	270021	CLUTCH DRUM	1				136-145		
	4	271473	PINION GEAR	1				TE1-A050000		
	5	271474	PLATE	1				TE1-A045000		
	6	580767	BEARING 6001 2RS	1				K354-060010	#6001 2RS	K354-060010

Status	Position	Parts Number	Parts Name	Unit Quantity	Set Unit Quantity	Specification	Remarks	Maker code
	7	270423	BEARING 608ZZ	1		K353-006080		
	8	991937	GREASE NIPPLE	1		A-MT6X1カ`9	M6	
	9	991924	SCREW M3X5	2	10	K010-030050 M3	M3x5	900-040
	10	271475	LOWER CASE	1		TE5-A006000		
	11	271474	PLATE	1		TE1-A045000		
	12	270423	BEARING 608ZZ	2		K353-006080		
	13	991924	SCREW M3X5	2	10	K010-030050 M3	M3x5	900-040
	14	271465	CRANK COMPLETE	1		TE1-A043000		
	15	271466	ROD	2		TE1-A044000		
	16	270567	FELT	1		A286-112004		
	17	279079	GUIDE PLATE	1		TE1-A112000		
	18	279080	UPPER BLADE	1		TE3-A13070A		
	19	279081	LOW BLADE	1		TE3-A23070A		
	20	279082	BLADE GURD S	1		TE1-A136000		
	21	270757	PLATE	1		A325-103004		
	22	580777	SNAP RING	1	5	K283-026000	#26	K283-026000
	23	272282	SCREW	1		K073-050126		
	24	991914	SCREW	3		A040-002009 L19		008-247
	25	271229	SCREW	1		G040-005000		
	26	279083	SCREW	1		A040-011009		
	27	991941	U-NUT	4	5	M6 6カ7 1カ1	M6	
	28	991913	WASHER	5	10	008-250		008-250
	29	271910	SCREW	6		K081-05016T		
	30	577136	HANDLE BRACKET	1		136-100		136-100
	31	274288	SPACER	2		136-101		
	32	274289	CUSHION	4		136-102		
	33	274290	WASHER	4		136-104		
	34	274291	SCREW	2		K081-06035T		
	35	279084	Spacer	1		TE1-A110000		
	36	274526	PLATE	1		TE1-A083000		
	37	279085	SCREW	5		K073-05010T		
	38	274240	LEFT HANDLE ASSY	1		TE2-2049000	Incl.39,40	
	39	274241	LEFT HANDLE	1		TE2-2044020		
	40	274242	THROTTLE TRIGGER	1		R034-006400		
	41	270090	RIGHT HANDLE COMPLETE	1		136-008		
	42	270070	BLADE COVER	1		A028-112009		
	43	577133	HANDLE FITTING	1		136-103		136-103
	44	270151	SCREW	1		K055-060202	M6x20	
	45	580796	HEXAGON HEAD BOLT	2	5	L040-050283	M5x30	K040-050301
	46	271908	SCREW	4		K078-05016T		
	47	991938	NUT	2		K151-050000	M5	900-200
	48	991941	U-NUT	1	5	M6 6カ7 1カ1	M6	
	49	991964	WASHER	1		K207-060104		900-321
	50	270566	LABEL	1		A052-246004		
	51	274299	BAND	2		R035-001700		
	52	274300	CLAMP	1		R037-002000		
	53	266960	LABEL	1		ホリコ-ソコ		

2. HT238P
ENGINE



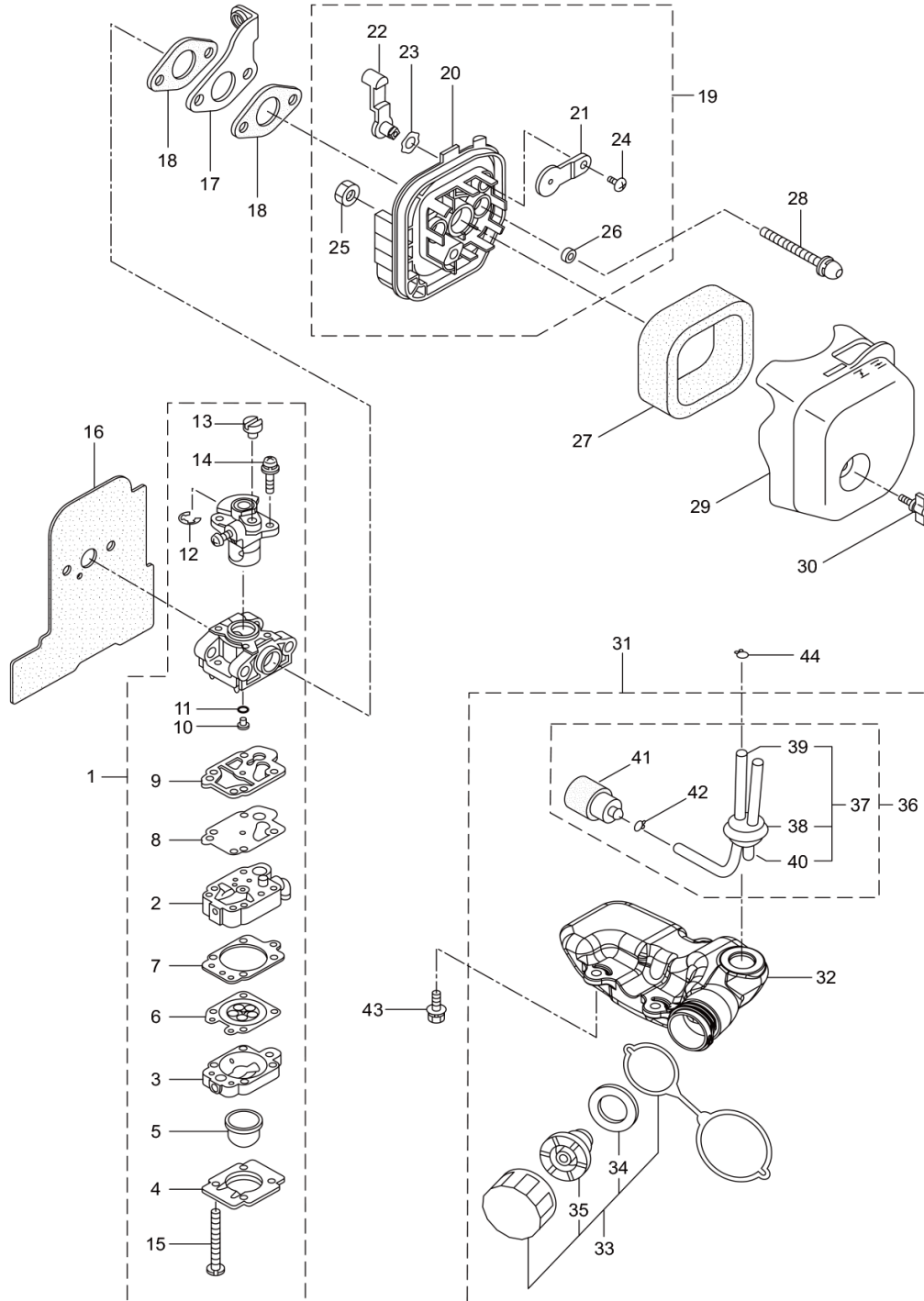
- 5 -

1

Status	Position	Parts Number	Parts Name	Unit Quantity	Set Unit Quantity	Specification	Remarks	Maker code
	1	875382		1			HE233/03	
	2	278641	CYLINDER	1				
	3	289643	GASKET	1		T0.5		
	4	267290	CAP SCREW	2	5	M5X20WSW+7	M5x20	

Status	Position	Parts Number	Parts Name	Unit Quantity	Set Unit Quantity	Specification	Remarks	Maker code
	5	272744	INSULATOR	1			New gasket required	
	6	267049	GASKET	1	5			
	7	265924	CAP SCREW	2	5	M5X25WSW+オ	M5x25	
	8	279938		1		ヨコハ イナ		
	9	266402	CAP SCREW	2	5	M5X55フナジ	M5x55	
	10	246971	GASKET	1				
	11	278987	PIPE COMP	1				
	12	278288	CYLINDER COVER	1		アカ	Incl.13-15	
	13	277793	CYLINDER COVER	1		アカ		
	14	286399	BOLT	1		M5 ミト リメツク	M5	
	15	286270	WASHER	1		M5	M5	
	16	277794		1				
	17	261607	CAP SCREW	1	5	M5X16WSW	M5x16	
	18	267191	CAP SCREW	1	5	M5X16WSW+オ	M5x16	
	19	278208	CRANK CASE	1				
	20	261181	BEARING 6000C3	2		6000C3	#6000C3	
	21	277906	OIL SEAL	1		キリカ イナP		
	22	277909	OIL SEAL	1		キリカ イナR		
	23	054676	RING SNAP	1	5	アサウ26	#26	
	24	261246	CAP SCREW	3	5	M5X25	M5x25	
	25	272204	PISTON	1				
	26	264891	PISTON RING	2			(2)required	
	27	261036	PISTON PIN	1		5.7X8X23.5L		
	28	288520	NEEDLE BEARING	1		8E-KV8X11X11.8		
	29	261576	CLIP PISTON	2				
	30	283155	CRANKSHAFT COMPLETE	1				
	31	246054	CLUTCH ASSY	1		ハツシ 54ヨウフ レートツキ	Incl.32-34	
×	32	246068		2			(2)required	
×	33	246069		1				
×	34	246070	SPRING	2			(2)required	
	35	278161	MAGNETO	1			Incl.36-41	
	36	278176	ROTOR	1		ネジ ヴム		
	37	278293	IGNITION COIL	1		CDI/テ シ ヲル	Incl.38-41	
	38	282292	PLUG CAP	1				
	39	261075	CONNECTOR	1		10805-40061		
	40	261072	CAP	1		イタ 10855-40101		
	41	280080	TUBE	1		10850-40023 55L		
	42	266959	LABEL	1		CEI-シヨ	Caution	
	43	280936	RACHET	2				
	44	280553	SPRING	2				
	45	020299	E-RING #4	2	10	ヨビ 4	#4	
	46	267492	LEAD	1		130L	130L	
	47	261076	WOODRUFF KEY 3X10	1	5	Aシ 3X10	3x10	
	48	261077	NUT	1	5	M6	M6	
	49	280381	SPACER	2	5			
	50	279850	SCREW	2		M4X25WSW(ジウ)	M4x25	
	51	288264	SPARK PLUG	1		NGK BPMR8Y	BPMR8Y	
	52	278294	GROMMET	1				
	53	278177	STARTER ASSY	1		タ シ ヲ - アカ	Incl.54-62	
	54	286363	REEL	1		A54108140000		
	55	286364	CAM PLATE	1		A54308140400		
	56	283290	DAMPER SPRING	1				
	57	280931	SPIRAL SPRING	1				
	58	267213	SCREW	1				
	59	283291	ROPE ASSY	1			Incl.60-62	
	60	283292	STARTER ROPE	1				
	61	261725	STARTER GRIP	1				
	62	283293	ROPE STOPPER	1				
	63	267290	CAP SCREW	3	5	M5X20WSW+オ	M5x20	
	64	278991	LABEL	1		48 HT238P	HT238P	

3. HT238P
CARBURETOR, FUEL TANK



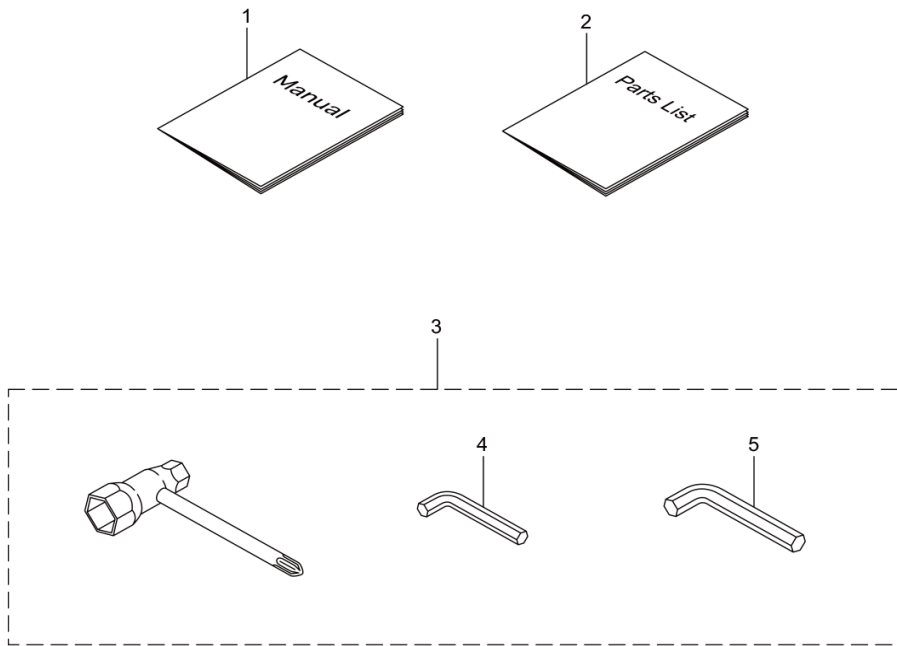
- 9 -

1

Status	Position	Parts Number	Parts Name	Unit Quantity	Set Unit Quantity	Specification	Remarks	Maker code
	1	278297	CARBURETOR ASSY	1		WYL-364	Incl.2-15	
	2	268499	CARBURETOR BODY	1		WB5-2771		
	3	262991	PURGE BODY	1		WB5-2557		
	4	262992	COVER	1		WB21-3147		
	5	261874	PRIMER	1		WB188-12		
	6	283905	DIAPHRAGM METERRING	1		WB95-614		
	7	262993	GASKET	1		WB92-359		

Status	Position	Parts Number	Parts Name	Unit Quantity	Set Unit Quantity	Specification	Remarks	Maker code
	8	262994	DIAPHRAGM	1		WB95-99		
	9	282576	GASKET	1		WB92-415		
	10	289396	JET	1		WB112-3070-330		
	11	261871	O-RING	1		WB16-104		
	12	261876	RING	1		WB16-71		
	13	261658	SWIVEL	1		WB52-34		
	14	264682	SCREW	2		WB96-364		
	15	262996	SCREW	4	5	WB96-425		
	16	278750	GASKET	1				
	17	283773	STAY	1				
	18	283771	GASKET	2				
△	19	289048	CASE	1			Incl.20-26	
	20	269050	CASE BODY	1		㊦ WYL		
	21	289019	MACHINED DISC	1		1.0		
	22	284803	LEVER	1				
	23	284816	WASHER	1	5	6.4X11X0.15	6.4x11x0.15	
	24	269032	SCREW	1	5	㊦ ㊦ ㊦ 3.5X8		
	25	126993	NUT	1	5	M5X0.8 2㊦1	M5	
	26	269051	SLEEVE	2		5.5X7.1X3		
	27	269030	ELEMENT	1		HR-50㊦㊦		
	28	264016	CAP SCREW	2	5	M5X60	M5x60	
	29	283772	CLEANER COVER	1				
	30	281438	KNOB	1				
	31	278209	TANK ASSY	1			Incl.32-42	
	32	277791	FUEL TANK	1				
	33	283438	TANK CAP ASSY	1			Incl.34,35	
	34	283727	PACKING	1	5	㊦㊦㊦㊦㊦		
	35	283764	BREATHER ASSY	1		HE㊦		
	36	265752	FUEL PIPE	1			Incl.37-42	
	37	264031	FUEL PIPE ASSY	1			Incl.38-40	
	38	261115	GROMMET	1				
	39	261690	FUEL PIPE	1		3X5X160L(㊦)	160L	
	40	263038	RETURN PIPE	1		3X6X85(㊦)	3x6x85L	
	41	277887	FILTER ASSY	1		125-935		
	42	261117	CLIP	1				
	43	269690	CAP SCREW	3	5	M5X18WSW-16	M5x18	
	44	261117	CLIP	1				

4. HT238P
ACCESSORIES



- 11 -

1

Status	Position	Parts Number	Parts Name	Unit Quantity	Set Unit Quantity	Specification	Remarks	Maker code
	1	246785		1		タイ HT238P	HT238P	
	2	524874		1		HT238P(TH)	HT238P	
	3	264606	TOOL SET	1			Incl.4,5	
	4	219431	SPANNER	1		ニムルバ 3	3mm	
	5	219432	WRENCH	1		ニムルバ 4	4mm	