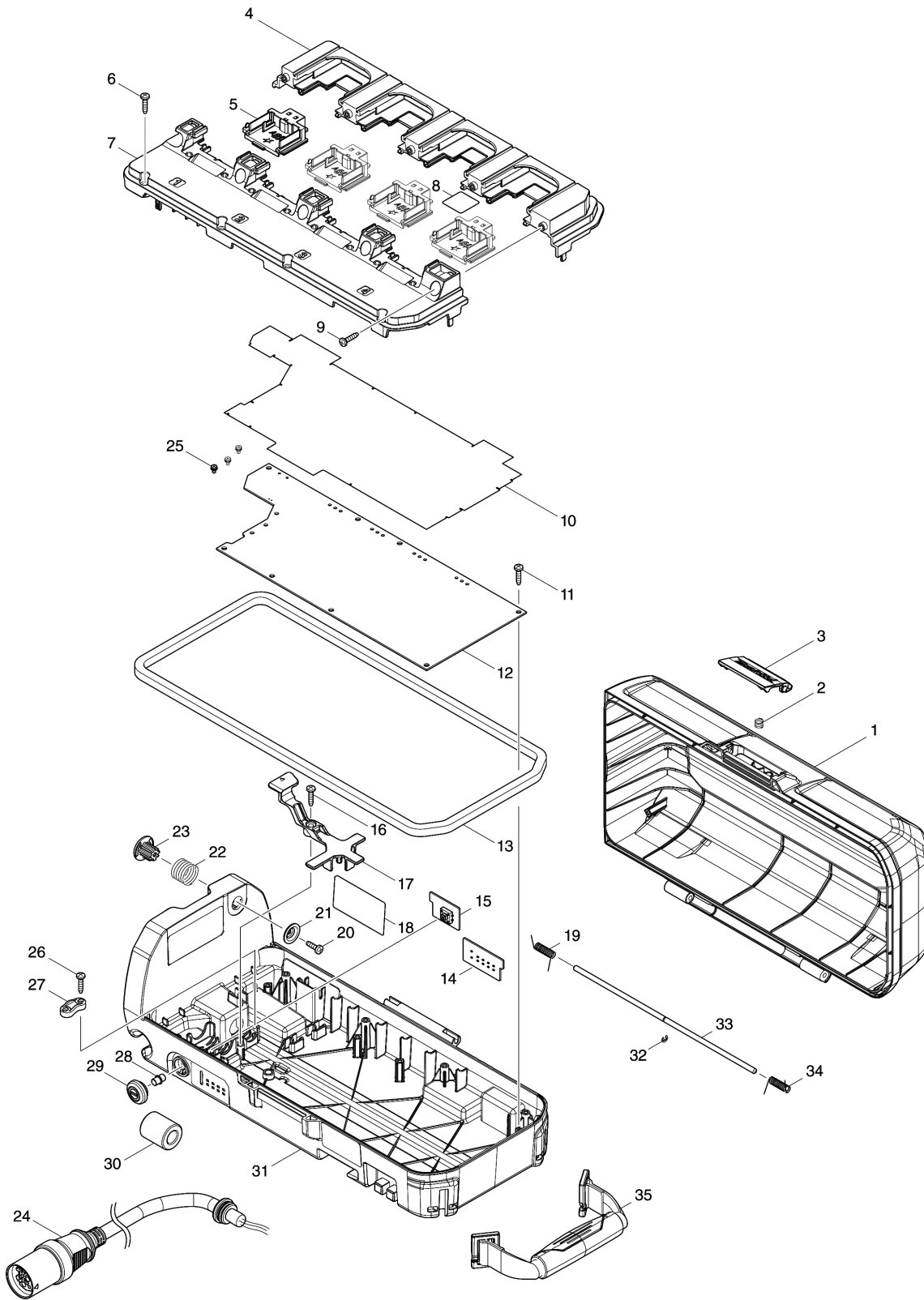


Model No.PDC01 PORTABLE POWER PACK



Model No.PDC01 PORTABLE POWER PACK

รายการ	รหัสอะไหล่	รายละเอียด	การ แลกเปลี่ยน	จำนวน	New/Old	ขาย	ซื้อ	ข้อความ
001	140M87-9	COVER COMPLETE		1	*			
C10	819S50-6	INDICATION LABEL		1	*			
001-1	140M87-9	COVER COMPLETE	O	1				
C10	819S50-6	INDICATION LABEL		1				
002	232537-1	COMPRESSION SPRING 7		1				
003	459465-7	LATCH A		1				
004	183M63-0	TERMINAL HOUSING SET		1				
D10		INC. 7						
005	643540-1	TERMINAL		4				
006	266326-2	TAPPING SCREW 4X18		8				
007	183M63-0	TERMINAL HOUSING SET		1				
D10		INC. 4						
008	855Y14-2	PDC01 DATE CODE LABEL		1				
009	266326-2	TAPPING SCREW 4X18		5				
010	680398-7	POLYCARBONATE SHEET		1				
011	266326-2	TAPPING SCREW 4X18		8				
012	620B46-8	CONTROLLER		1				
013	422468-4	PACKING		1				
014	620B50-7	INDICATION CIRCUIT		1				
015	620B51-5	SWITCH CIRCUIT		1				
016	266326-2	TAPPING SCREW 4X18		1				
017	459532-8	CORD COVER		1				
018	855Y13-4	PDC01 NAME PLATE		1				
019	232536-3	TORSION SPRING 5		1				
020	266385-6	TAPPING SCREW 4X14		1				
021	253444-5	CUP WASHER4		1				
022	232538-9	COMPRESSION SPRING 19		1				
023	459471-2	LOCK BUTTON		1				
024A	699135-8	POWER SUPPLY CORD UNIT		1	*			
C10	682109-6	GROMMET		1	*			
024B	699135-8	POWER SUPPLY CORD UNIT		1	*			
C10	682109-6	GROMMET		1	*			
024C	699135-8	POWER SUPPLY CORD UNIT		1	*			
C10	682109-6	GROMMET		1	*			
024D	699135-8	POWER SUPPLY CORD UNIT		1	*			
C10	682109-6	GROMMET		1	*			
024-1A	699154-4	POWER SUPPLY CORD UNIT		1				
C10	682115-1	GROMMET		1				
024-1B	699154-4	POWER SUPPLY CORD UNIT		1				
C10	682115-1	GROMMET		1				

Model No.PDC01 PORTABLE POWER PACK

รายการ	รหัสอะไหล่	รายละเอียด	การ แลกเปลี่ยน	จำนวน	New/Old	ขาย	ซื้อ	ข้อความ
024-1C	699154-4	POWER SUPPLY CORD UNIT		1				
C10	682115-1	GROMMET		1				
024-1D	699154-4	POWER SUPPLY CORD UNIT		1				
C10	682115-1	GROMMET		1				
024-1E	699154-4	POWER SUPPLY CORD UNIT		1				
C10	682115-1	GROMMET		1				
025	652069-6	FLAT HEAD SCREW M3X6		3				
026	266326-2	TAPPING SCREW 4X18		2				
027	687149-9	STRAIN RELIEF		1				
028	459470-4	SWITCH PIN		1				
029	422469-2	SWITCH BUTTON		1				
030	688233-3	LINE FILTER		1				
031A	140M85-3	FRAME COMPLETE		1	*			
C10	819S49-1	INDICATION LABEL		1	*			
C20	819S51-4	CAUTION LABEL		1	*			
C30	819S53-0	INDICATION LABEL		1	*			
031B	140M85-3	FRAME COMPLETE		1	*			
C10	819S49-1	INDICATION LABEL		1	*			
C20	819S51-4	CAUTION LABEL		1	*			
C30	819S53-0	INDICATION LABEL		1	*			
031C	140M85-3	FRAME COMPLETE		1	*			
C10	819S49-1	INDICATION LABEL		1	*			
C20	819S51-4	CAUTION LABEL		1	*			
C30	819S53-0	INDICATION LABEL		1	*			
031D	140M85-3	FRAME COMPLETE		1	*			
C10	819S49-1	INDICATION LABEL		1	*			
C20	819S51-4	CAUTION LABEL		1	*			
C30	819S53-0	INDICATION LABEL		1	*			
031-1A	140M85-3	FRAME COMPLETE	<	1				
C10	819S49-1	INDICATION LABEL		1				
C20	819S51-4	CAUTION LABEL		1				
C30	819S53-0	INDICATION LABEL		1				
031-1B	140M85-3	FRAME COMPLETE	<	1				
C10	819S49-1	INDICATION LABEL		1				
C20	819S51-4	CAUTION LABEL		1				
C30	819S53-0	INDICATION LABEL		1				
031-1C	140M85-3	FRAME COMPLETE	<	1				
C10	819S49-1	INDICATION LABEL		1				
C20	819S51-4	CAUTION LABEL		1				
C30	819S53-0	INDICATION LABEL		1				

Model No.PDC01 PORTABLE POWER PACK

รายการ	รหัสอะไหล่	รายละเอียด	การ แลกเปลี่ยน	จำนวน	New/Old	ขาย	ซื้อ	ข้อความ
031-1D	140M85-3	FRAME COMPLETE	<	1				
C10	819S49-1	INDICATION LABEL		1				
C20	819S51-4	CAUTION LABEL		1				
C30	819S53-0	INDICATION LABEL		1				
031-1E	140M85-3	FRAME COMPLETE		1				
C10	819S49-1	INDICATION LABEL		1				
C20	819S51-4	CAUTION LABEL		1				
C30	819S53-0	INDICATION LABEL		1				
032	961017-7	STOP RING E-3		1				
033A	256883-8	ROD 4		1	*			
033B	256883-8	ROD 4		1	*			
033C	256883-8	ROD 4		1	*			
033D	256883-8	ROD 4		1	*			
033-1A	256883-8	ROD 4	<	1				
033-1B	256883-8	ROD 4	<	1				
033-1C	256883-8	ROD 4	<	1				
033-1D	256883-8	ROD 4	<	1				
033-1E	256883-8	ROD 4		1				
034	232541-0	TORSION SPRING 5		1				
035	162658-4	HANDLE COMPLETE		1				
A01	127347-8	HARNESS ASSEMBLY		1	*			
D10		COMPO-PARTS			*			
A01-1	127347-8	HARNESS ASSEMBLY	<	1	*			
D10		COMPO-PARTS			*			
A01-2	127347-8	HARNESS ASSEMBLY	O	1	*			
D10		COMPO-PARTS			*			
A01-3	127347-8	HARNESS ASSEMBLY	<	1				
D10		COMPO-PARTS						
A02A	191A52-9	ADAPTER SET		1	*			
D10		COMPO-PARTS			*			
A02B	191A52-9	ADAPTER SET		1	*			
D10		COMPO-PARTS			*			
A02C	191A52-9	ADAPTER SET		1	*			
D10		COMPO-PARTS			*			
A02D	191A52-9	ADAPTER SET		1	*			
D10		COMPO-PARTS			*			
A02-1A	191J51-5	ADAPTER SET	<	1				
D10		COMPO-PARTS						
A02-1B	191J51-5	ADAPTER SET	<	1				
D10		COMPO-PARTS						

Model No.PDC01 PORTABLE POWER PACK

รายการ	รหัสอะไหล่	รายละเอียด	การ แลกเปลี่ยน	จำนวน	New/Old	ขาย	ซื้อ	ข้อความ
A02-1C	191J51-5	ADAPTER SET	<	1				
D10		COMPO-PARTS						
A02-1D	191J51-5	ADAPTER SET	<	1				
D10		COMPO-PARTS						
A03A	191A53-7	ADAPTER SET		1	*			
D10		COMPO-PARTS			*			
A03C	191A53-7	ADAPTER SET		1	*			
D10		COMPO-PARTS			*			
A03-1A	191J50-7	ADAPTER SET	<	1				
D10		COMPO-PARTS						
A03-1C	191J50-7	ADAPTER SET	<	1				
D10		COMPO-PARTS						
A04C	199282-0	BATTERY BL1850B SET		4	*			
A04D	199282-0	BATTERY BL1850B SET		4	*			
A04-1C	199282-0	BATTERY BL1850B SET	<	4				
A04-1D	199282-0	BATTERY BL1850B SET	<	4				
A05C	***DC18RD	DC18RD TWO PORT FAST CHARGER		1				
D10		COMPO-PARTS						
A05D	***DC18RD	DC18RD TWO PORT FAST CHARGER		1				
D10		COMPO-PARTS						
A06C	450128-8	BATTERY COVER		4				
A06D	450128-8	BATTERY COVER		4				
F01E	191M44-0	PORTABLE POWER PACK SET		1				

Please order the parts with part number.

Print Date 24/8/2021