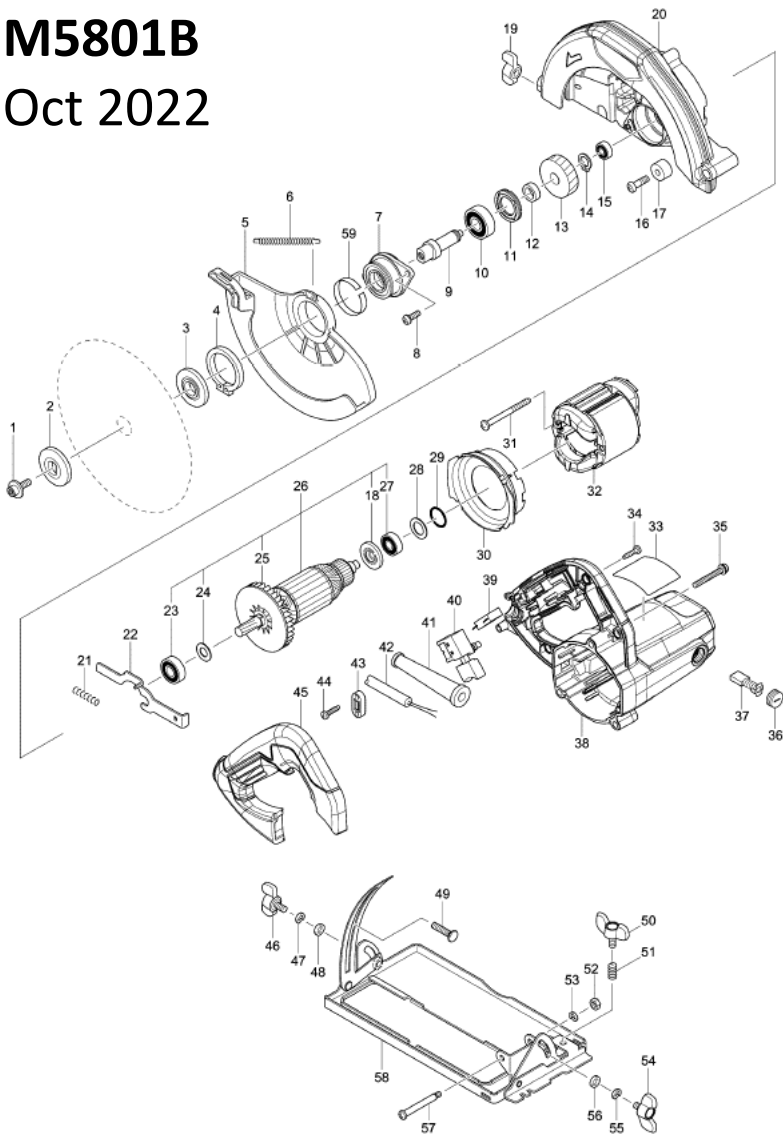


M5801B

Oct 2022



No.	CODE	DESCRIPTION	ราคาตั้ง
1	266819-9	HEX.SOKCET HEAD BOLT M6X20	50
2	224387-8	OUTER FLANGE 40	130
3	224386-0	INNER FLANGE 40	170
4	961155-5	RETAINING RING S-38	150
5	418150-1	SAFETY COVER	380
6	231833-4	TENSION SPRING 3	110
7	318880-3	BEARING BOX	250
8	265120-9	PAN HEAD SCREW M5X16	110
9	324320-1	SPINDLE	240
10	211477-6	BALL BEARING 6201ZZ	160
11	285852-2	BEARING RETAINER 19-33	120
12	257173-2	RING 12	80
13	227768-5	HELICAL GEAR 38	490
14	961052-5	RETAINING RING S-12	40
15	210137-7	BALL BEARING 606ZZ	120
16	265117-8	+PAN HEAD SCREW M6X20	110
17	262556-3	RUBBER SLEEVE 6	60
18	681644-1	INSULATION WASHER	60
19	252649-4	THUMB NUT M6	60
20	143126-6	BLADE CASE COMPLETE	1,380
20	213445-5	O-RING 26	30
21	233117-6	COMPRESSION SPRING 6	50
22	345317-7	SHAFT LOCK	110
23	210199-5	BALL BEARING 6000ZZ	
24	267256-0	FLAT WASHER 10	70
25	240064-4	FAN 70	170
26	510423-9	ARMATURE ASS'Y 220V	
27	210046-0	BALL BEARING 608ZZ	110
28	267255-2	FLAT WASHER 14	70
29	213279-6	O RING 18	100
30	452092-9	BAFFLE PLATE	130
31	266329-6	TAPPING SCREW 5X60	70

No.	CODE	DESCRIPTION	ราคาตั้ง
32	590067-1	FIELD ASSY 220V	
32	654020-2	RING TERMINAL	50
32	654501-6	CONNECTOR P-1.25	40
34	265652-6	TAPPING SCREW 4X18	30
35	265104-7	PAN HEAD SCREW M5X40	100
36	643750-0	BRUSH HOLDER CAP 7-11	70
37	B-80379	CARBON BRUSH SET CB-303A	190
38	143979-3	MOTOR HOUSING COMPLETE	920
38	644501-4	BRUSH HOLDER 5X11	190
40	650246-4	SWITCH TN14-3-C01-1	180
41	682574-9	CORD GUARD 10-90	90
42	691780-5	POWER SUPPLY CORD 0.75-2-5.	320
43	687140-7	STRAIN RELIEF	40
44	265652-6	TAPPING SCREW 4X18	30
45	456955-1	HANDLE COVER	#VALUE!
46	265754-8	THUMB SCREW M6X12	60
47	942151-2	SPRING WASHER 6	100
48	941151-9	FLAT WASHER 6	30
49	266309-2	CAP SQUARE NECK BOLT M6X26	100
50	265754-8	THUMB SCREW M6X12	60
51	233376-2	COMPRESSION SPRING 8	70
52	252175-3	HEX. NUT M5	70
53	942101-7	SPRING WASHER 5	100
54	265754-8	THUMB SCREW M6X12	60
55	942151-2	SPRING WASHER 6	100
56	941151-9	FLAT WASHER 6	30
57	265118-6	+ PAN HEAD SCREW M5	60
58	168370-4	BASE	670
59	345391-5	THICKNESS RING	120
A01	164095-8	GUIDE RULE	240
A02	D-03361	TCT SAW BLADE 185X20X40T	990
A03	783217-7	HEX. WRENCH 5	110