

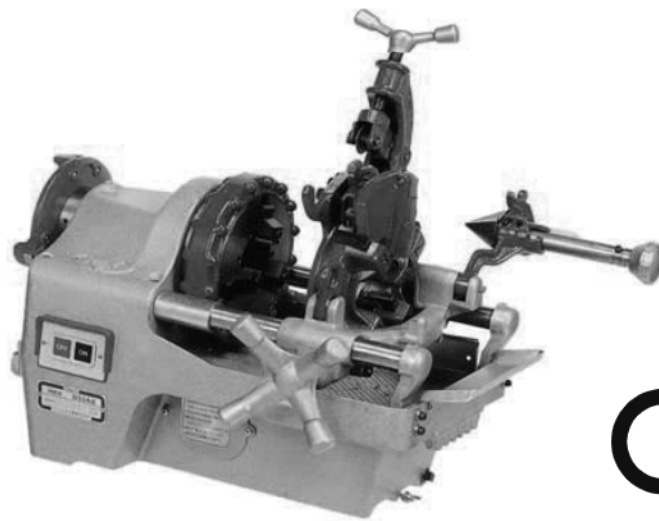
REX

PIPE THREADING MACHINE

N50A Series

PARTS LIST

As of November 2008



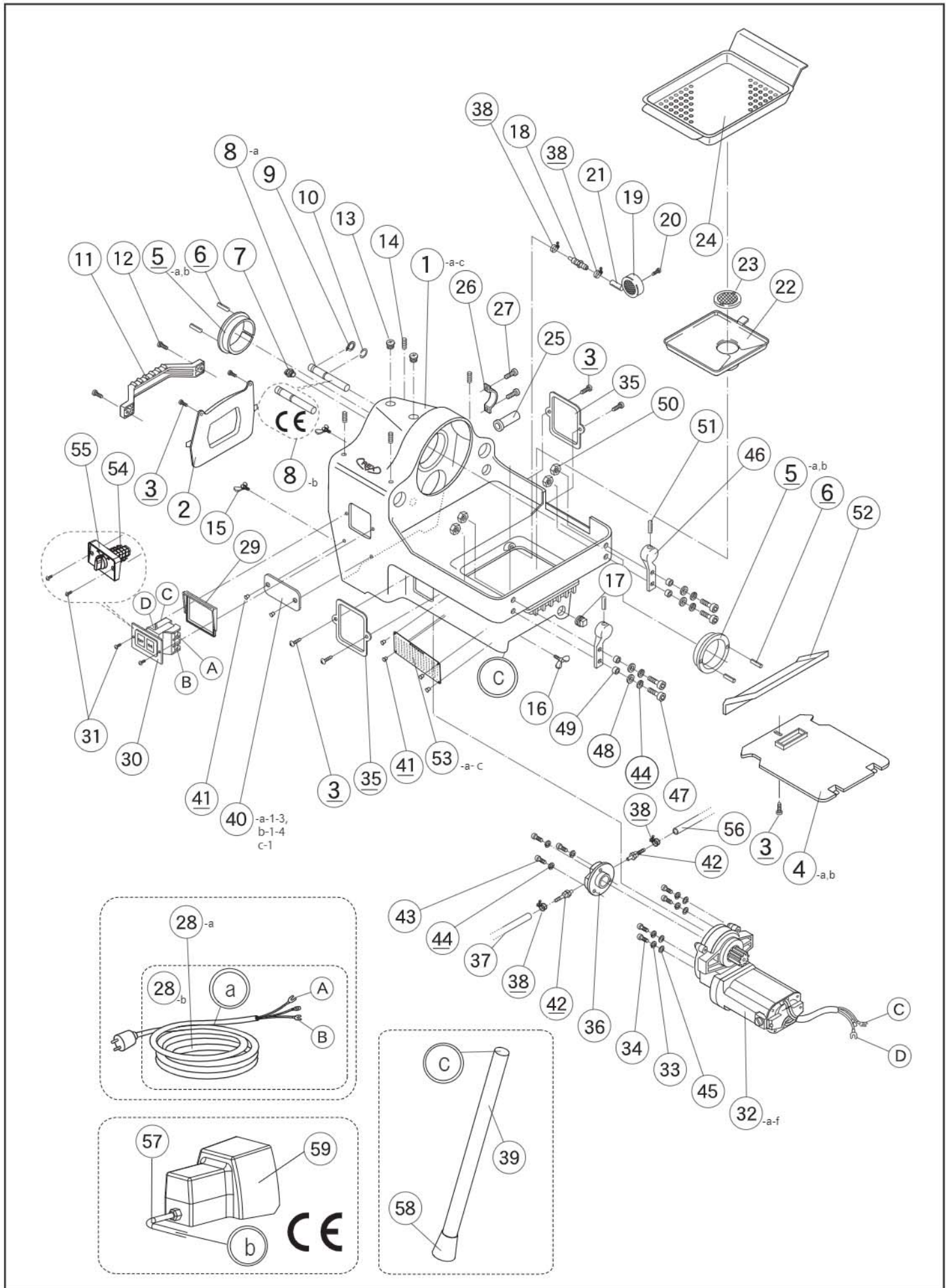
CONTENTS

1. BASE *Include CE
2. MOTOR, PUMP
3. MAIN SHAFT
4. CARRIAGE
5. CUTTER
6. REAMER

REX

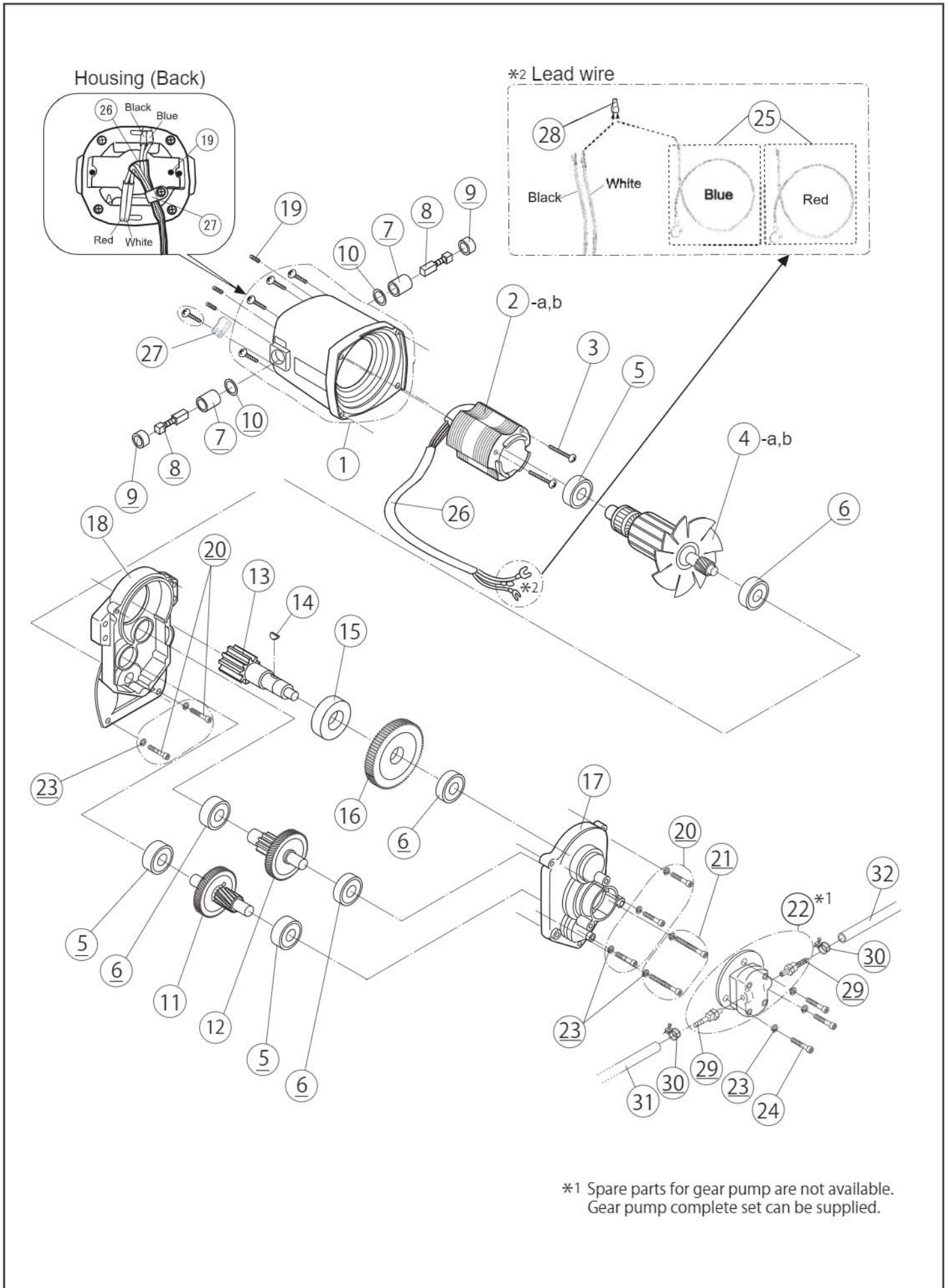
*Some dedicated maintenance parts for products past 7 years after manufacture are discontinued as stocks run out.

N50A Series - 1. BASE *Include CE



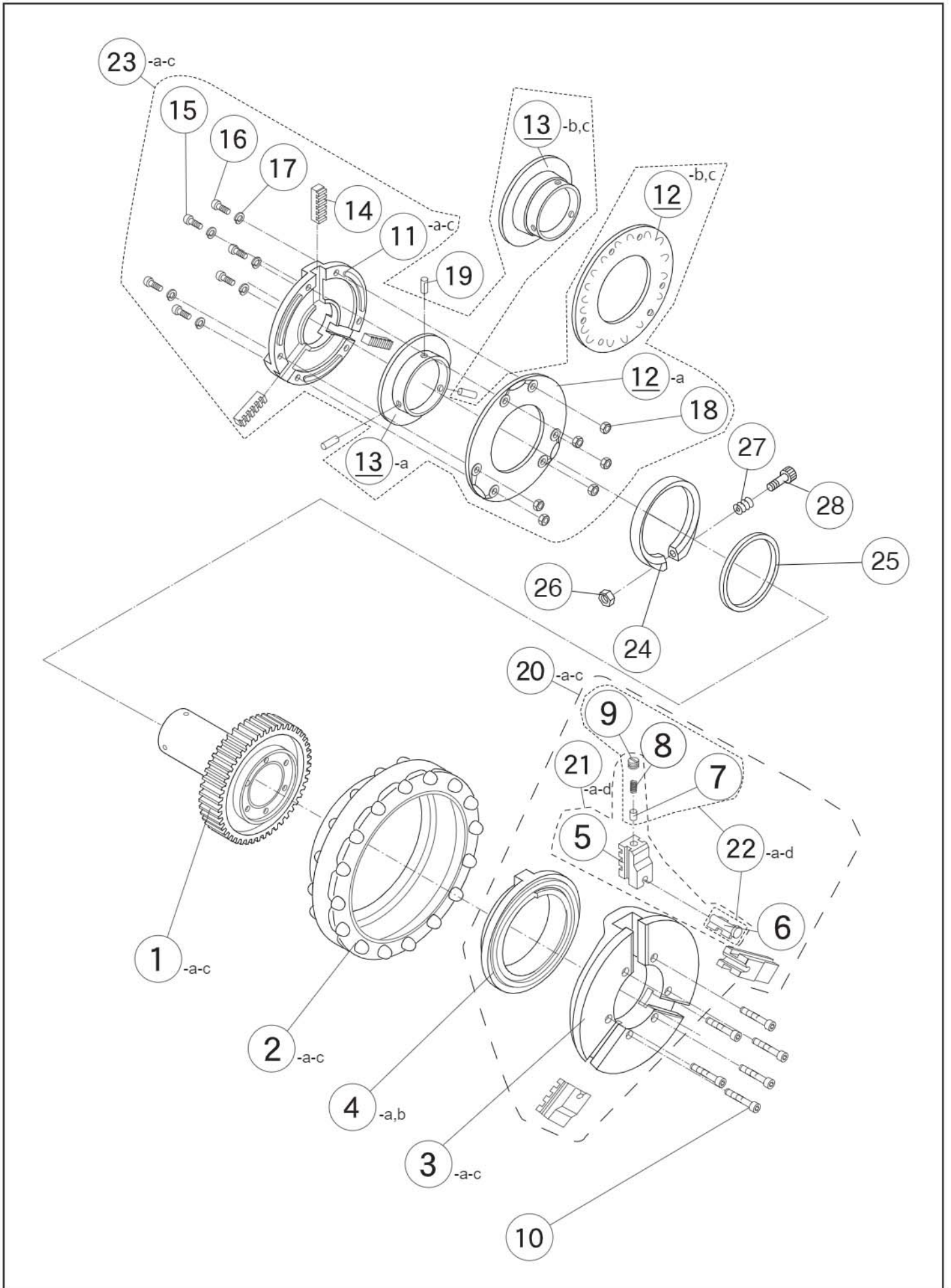
REX

N50A Series - 2. MOTOR, PUMP

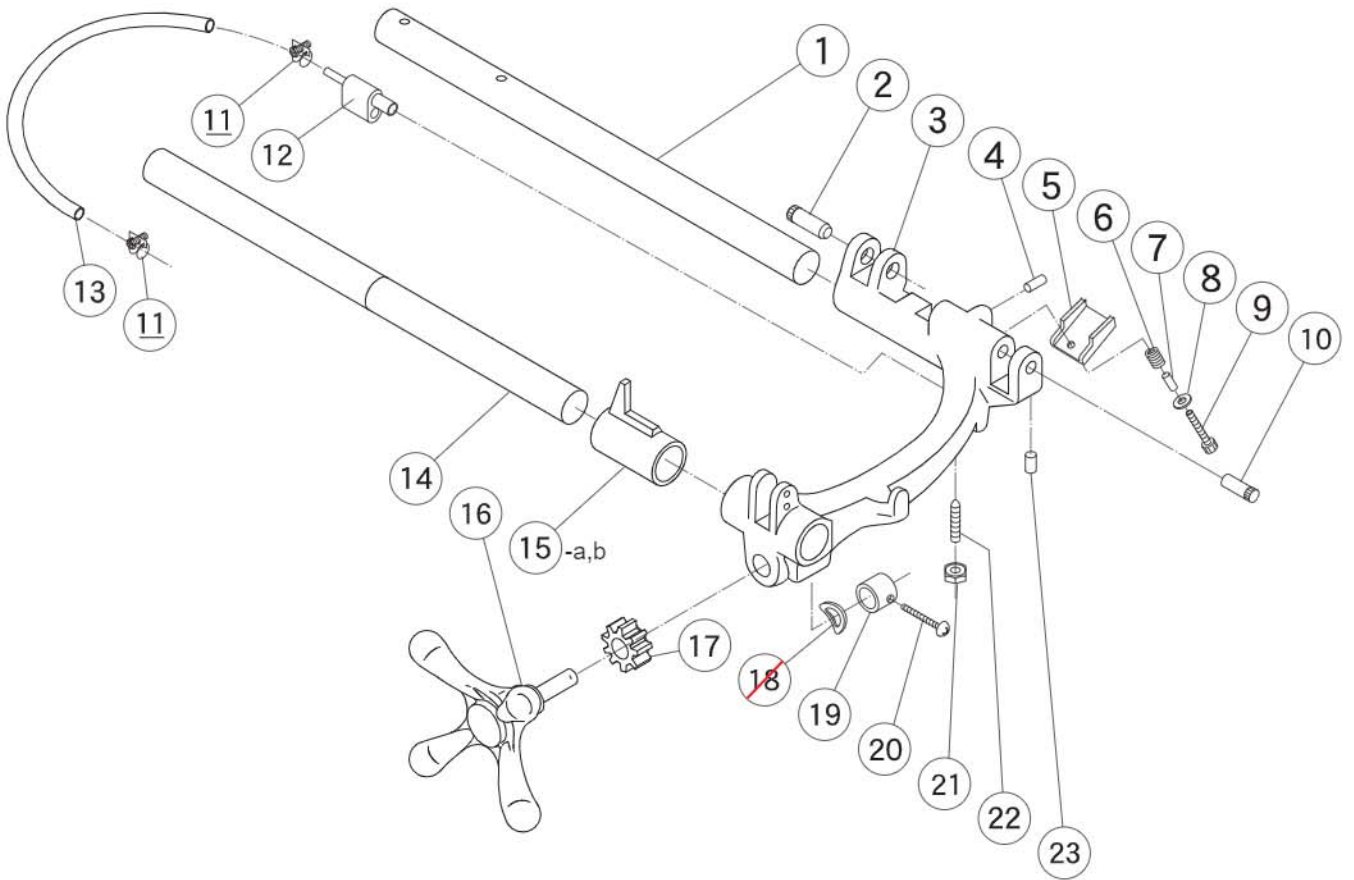


*1 Spare parts for gear pump are not available.
Gear pump complete set can be supplied.

N50A Series - 3. MAIN SHAFT

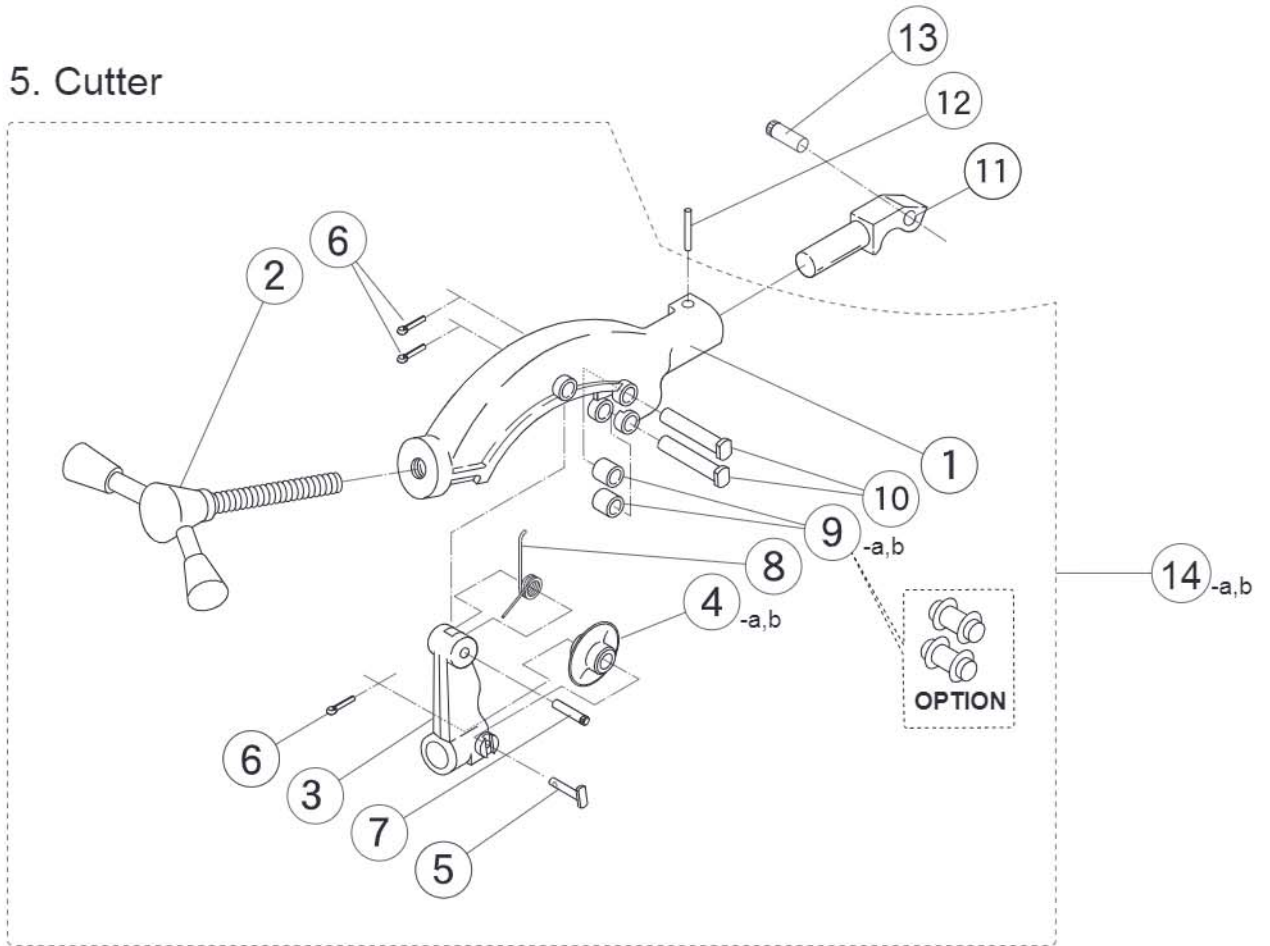


N50A Series - 4. CARRIAGE

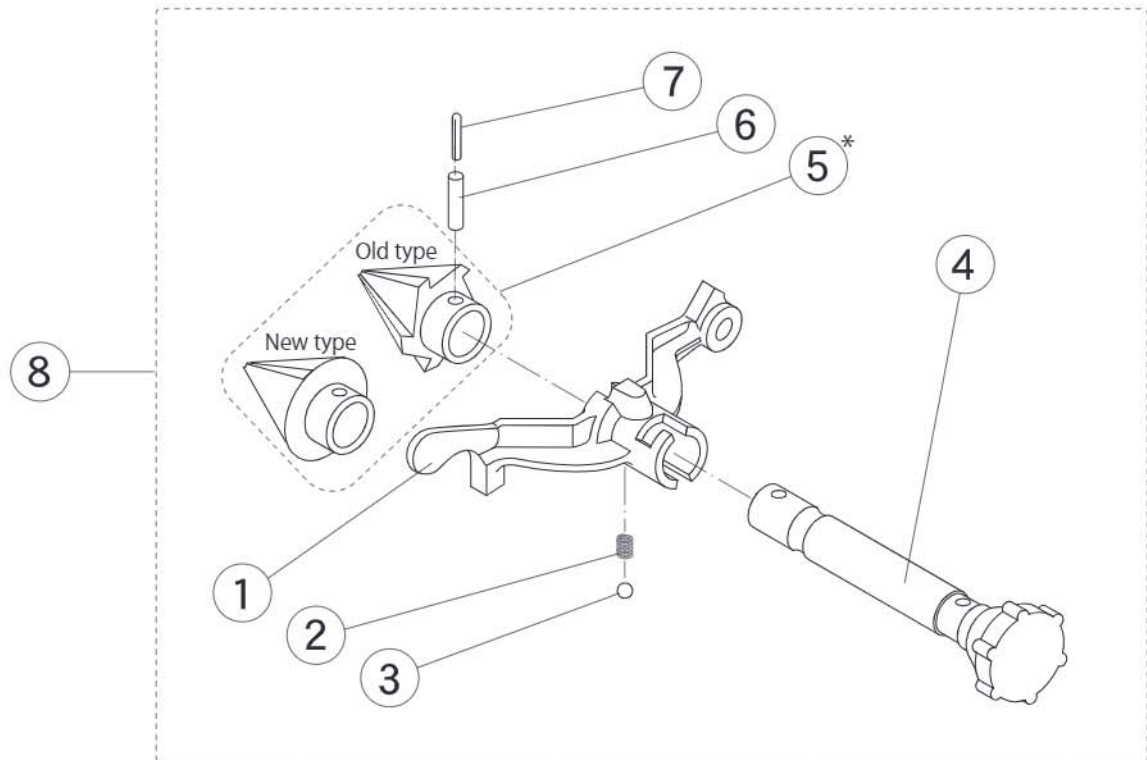


N50A Series - 5. CUTTER / 6. REAMER

5. Cutter



6. Reamer





REX INDUSTRIES CO., LTD.

Overseas Sales Section & Factory :

1-9-3, Hishiyahigashi, Higashi Osaka 578-0948, Japan.

Tel.: 81 - 72 - 961 - 9820 Fax.: 81 - 72 - 961 - 9878

URL <http://www.rexind.co.jp>