

REX

PIPE THREADING MACHINE

N80A Series

PARTS LIST

As of November 2008



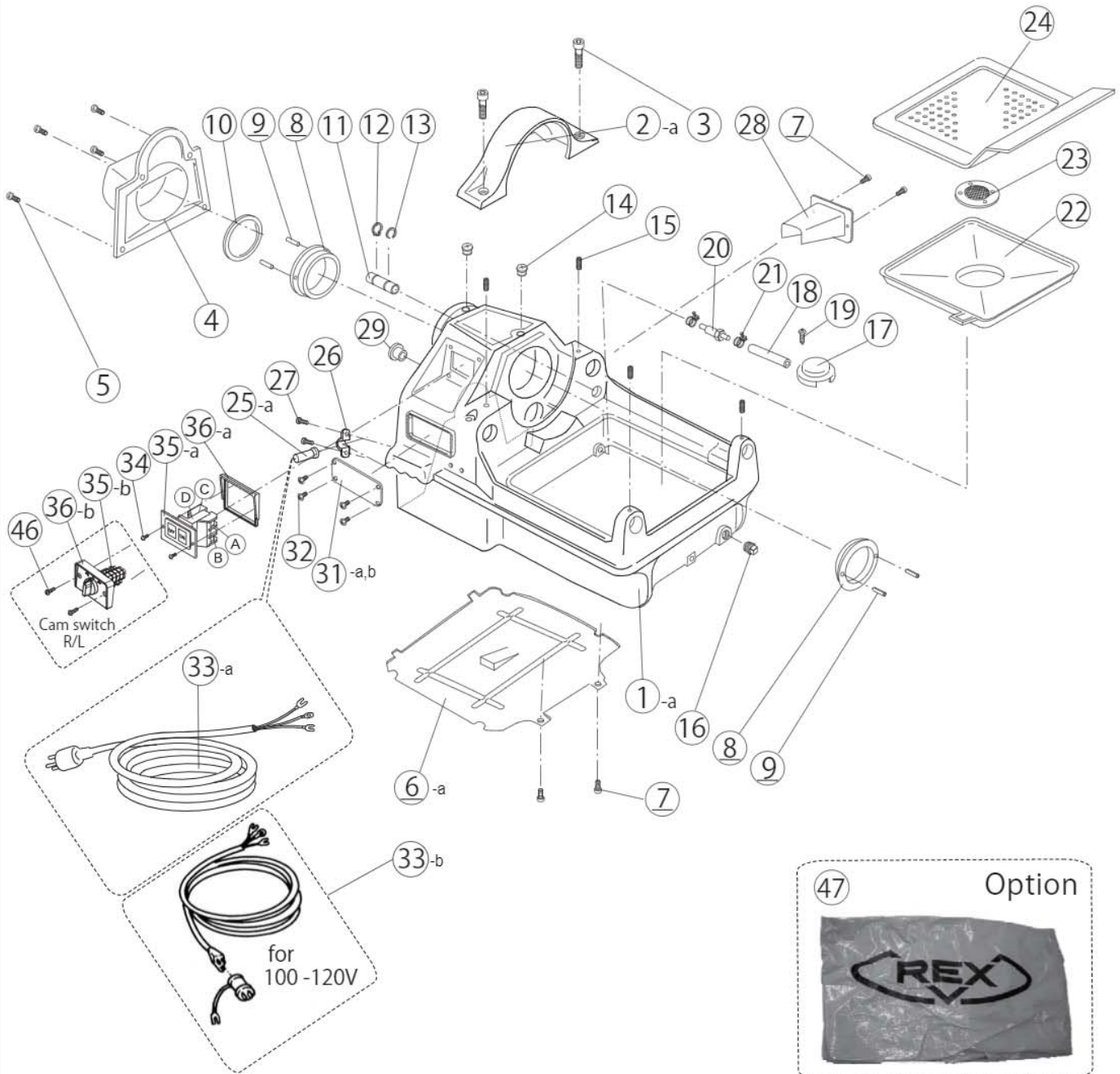
CONTENTS

1. BASE (Standard)
(CE)
2. MOTOR, PUMP
3. MAIN SHAFT
4. CARRIAGE, MOTOR
5. CUTTER
6. REAMER

REX

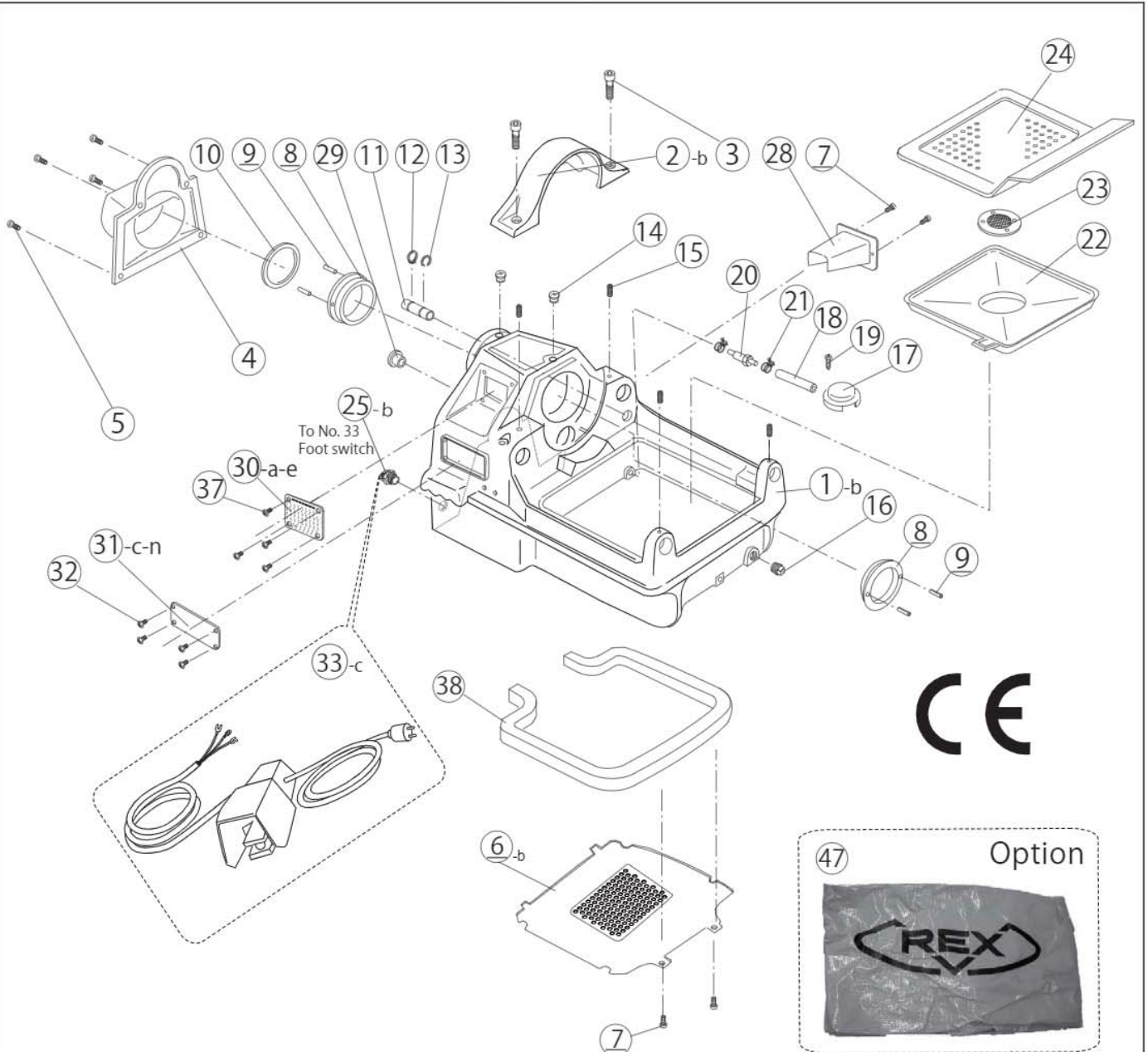
*Some dedicated maintenance parts for products past 7 years after manufacture are discontinued as stocks run out.

N80A Series - 1. Base (Standard)

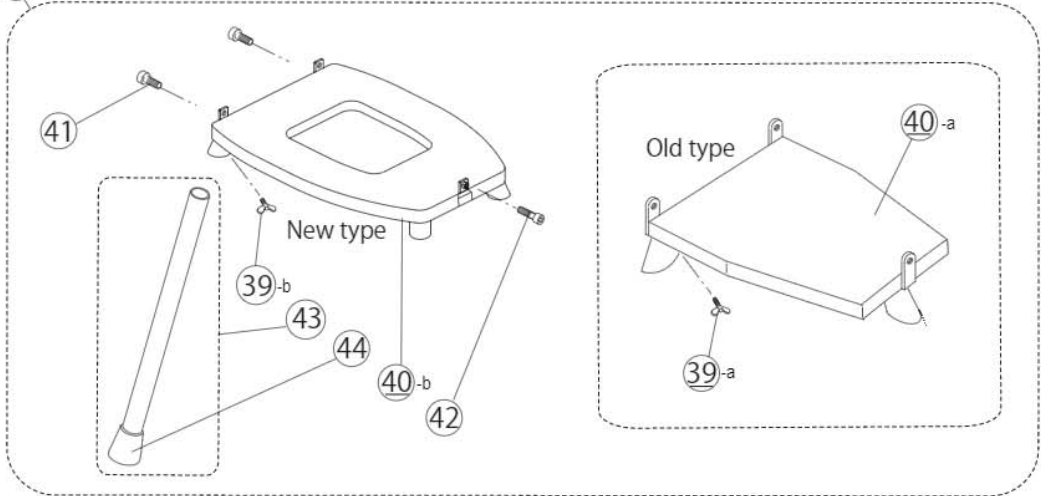


REX

N80A Series - 1. Base (CE)



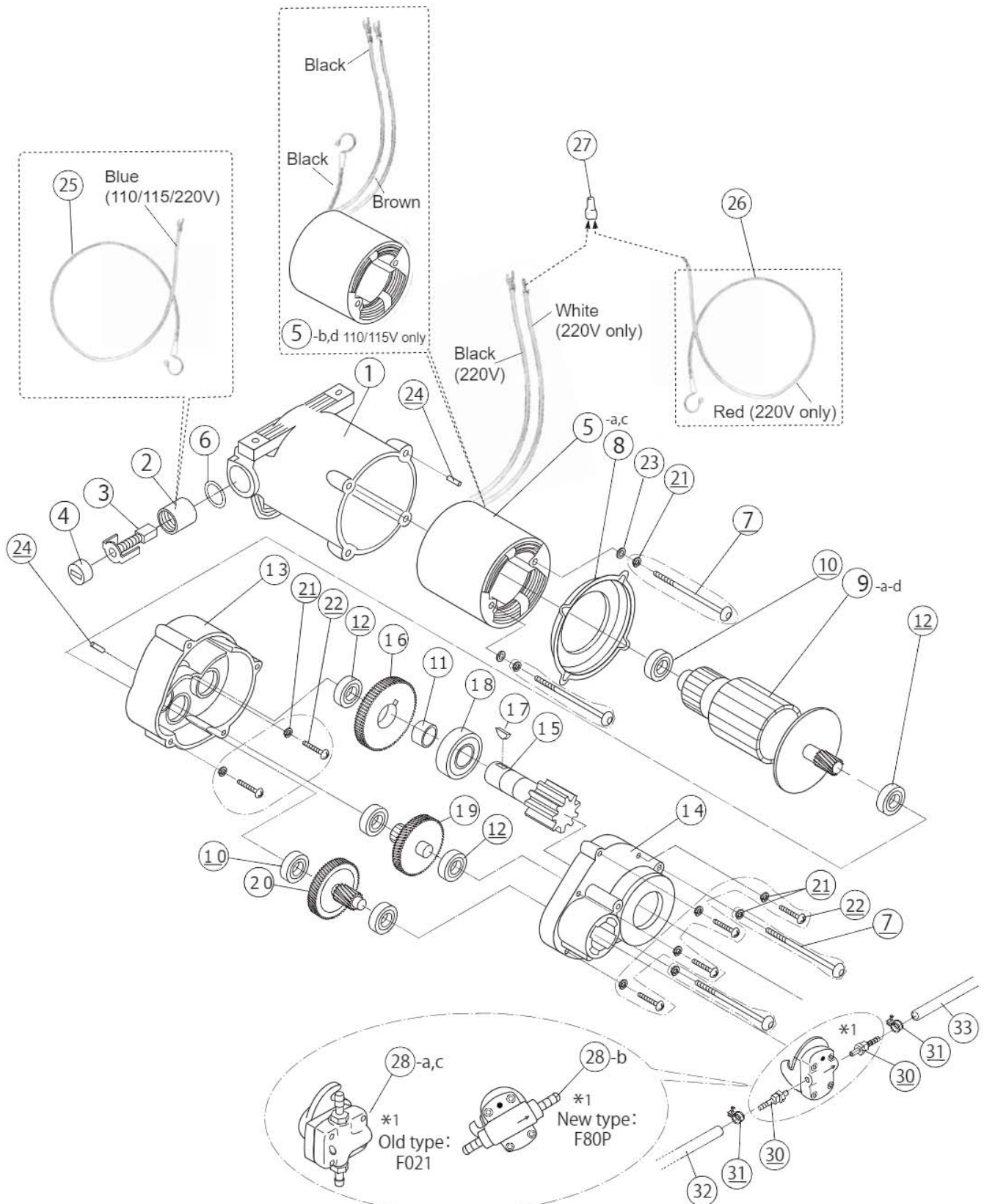
45 02FY : Pipe Stand Complete Set *discontinued



2018.8.24



N80A Series - 2. Motor, Pump

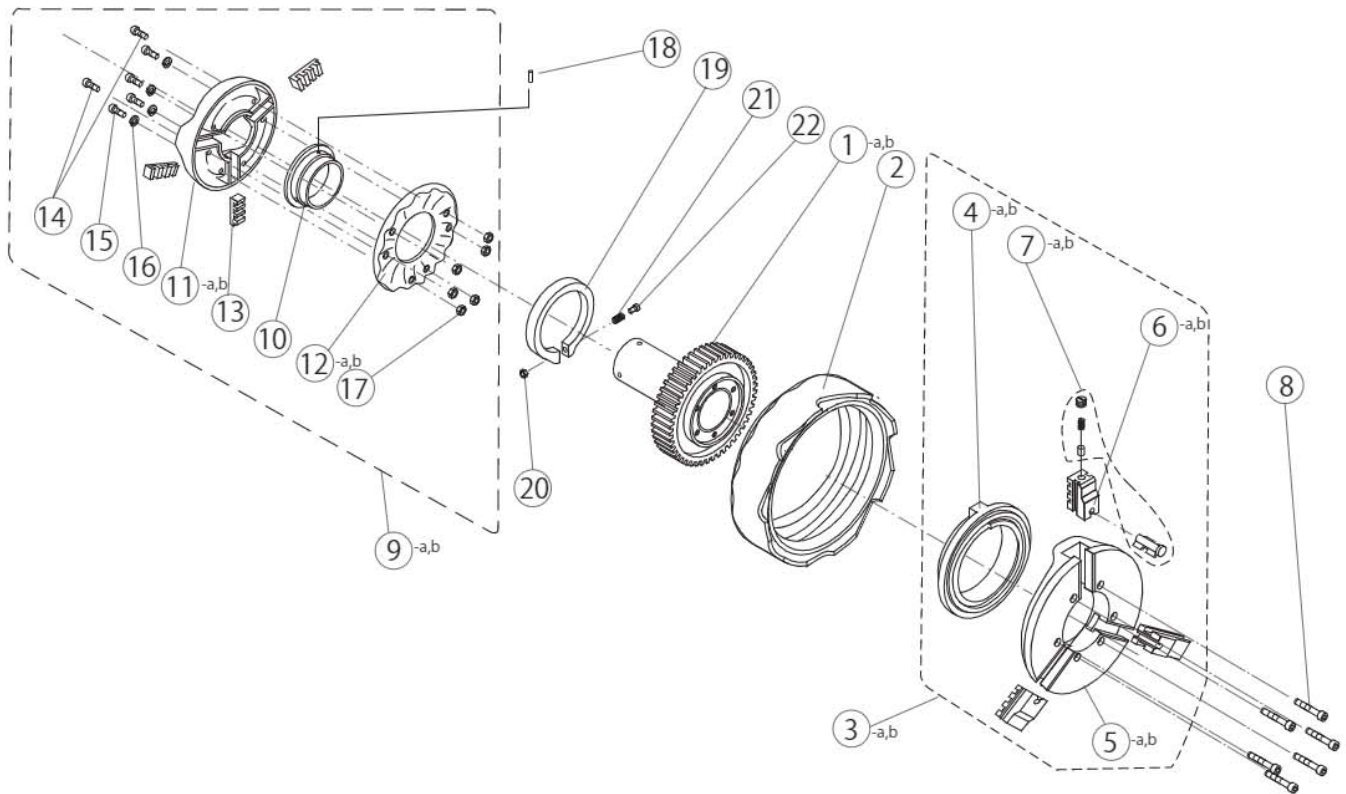


*1 Spare parts for gear pump are not available.
Can be supplied gear pump complete set.

*2 Motor Assembly is not available.

REX

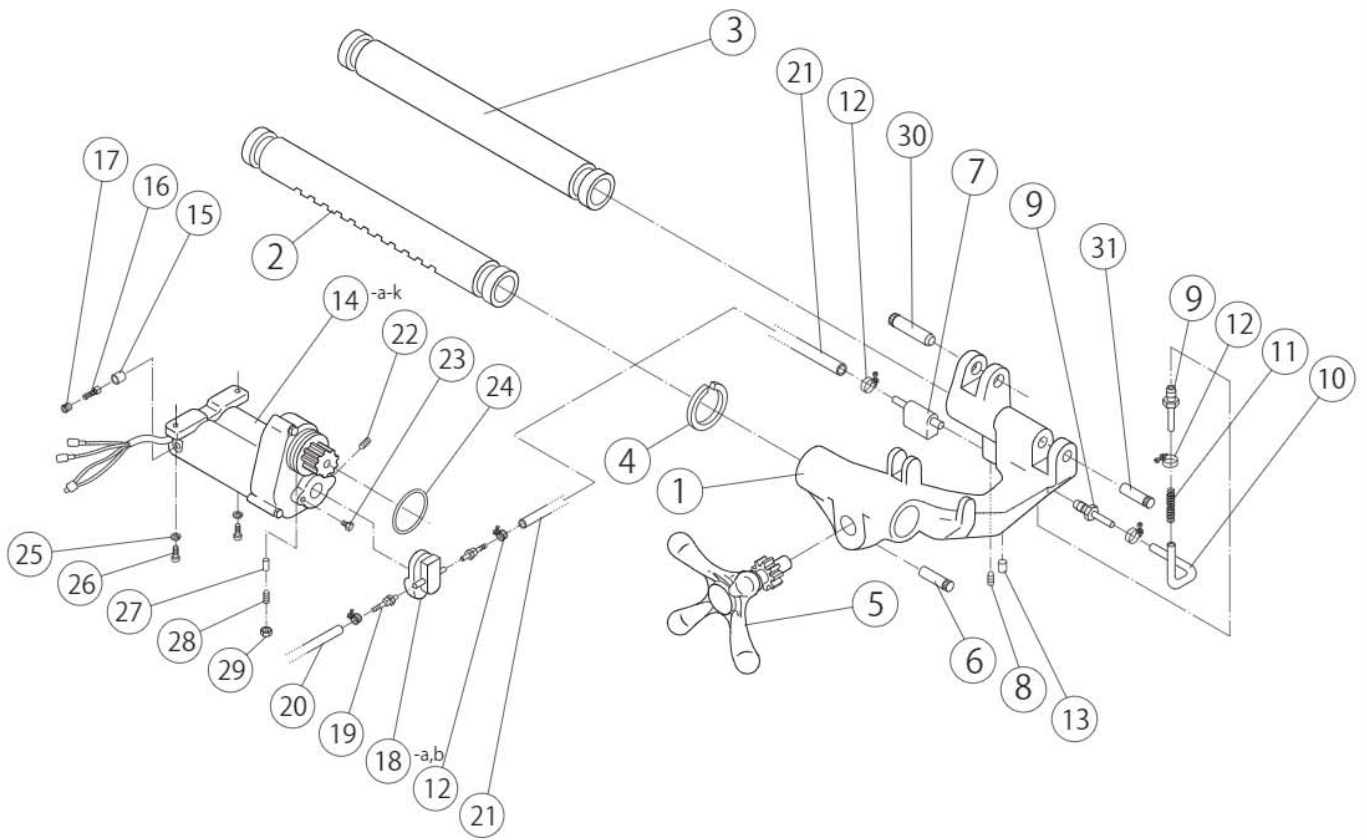
N80A Series - 3. Main shaft



2018.8.24

REX

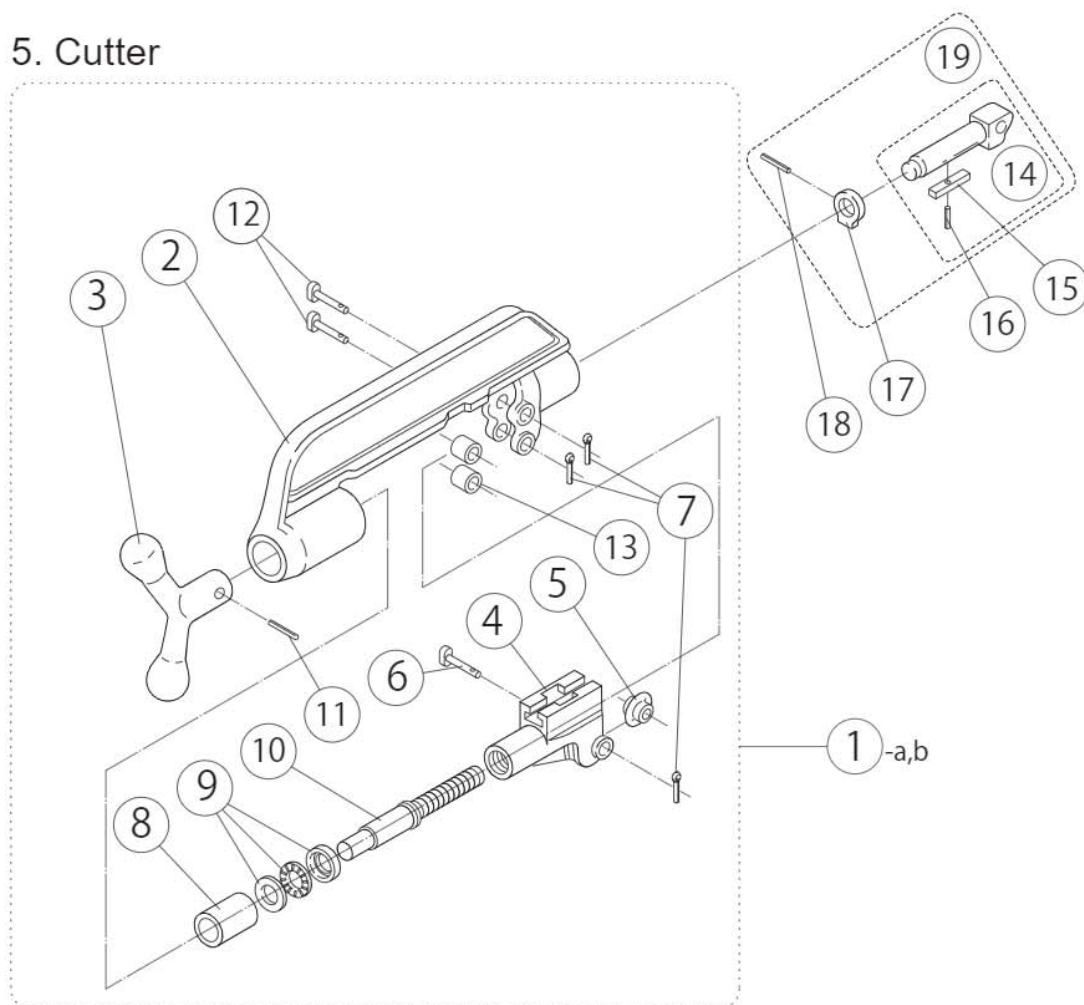
N80A Series - 4. Carriage, Motor



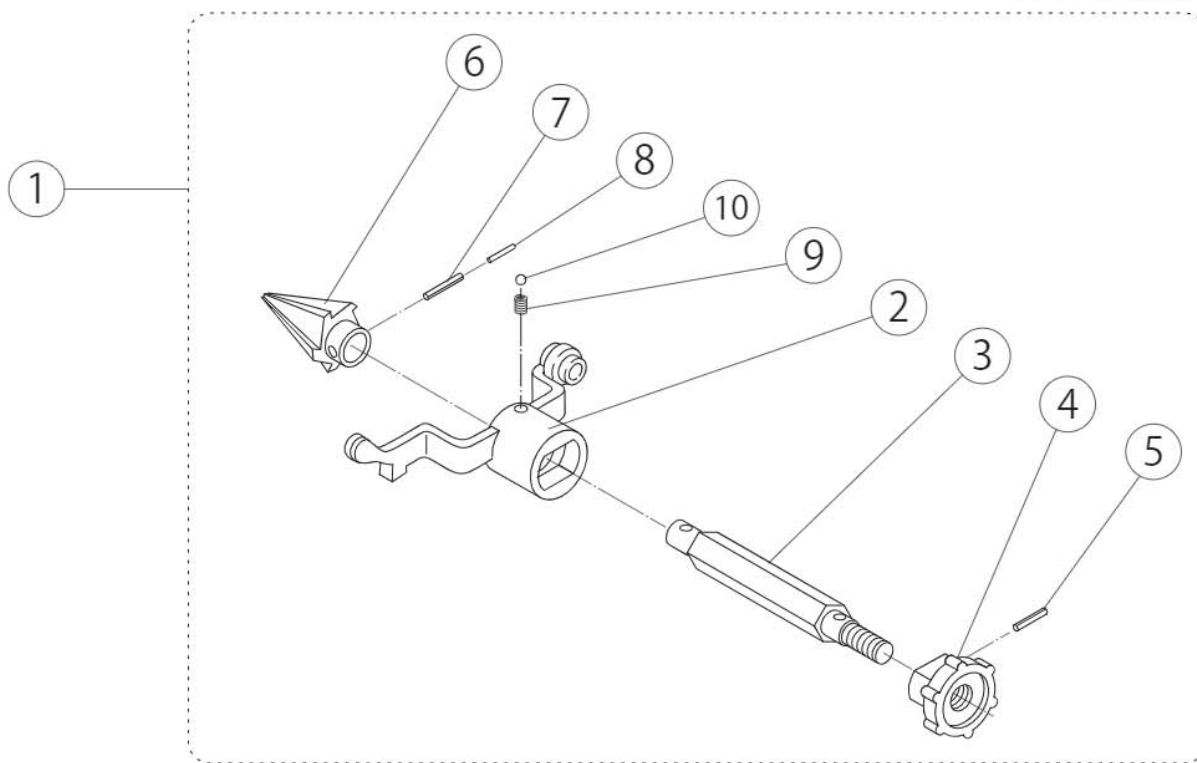
REX

N80A Series - 5. Cutter / 6. Reamer

5. Cutter



6. Reamer



REX

REX

www.rexind.co.jp

REX INDUSTRIES CO., LTD.

Overseas Sales Dept. (Head Office & Factory):

1-9-3, Hishiyahigashi, Higashi Osaka 578-0948, Japan

Tel.: +81 - (0)72 - 961 - 9820 Fax.: +81 - (0)72 - 961 - 9878

URL <http://www.rexind.co.jp>