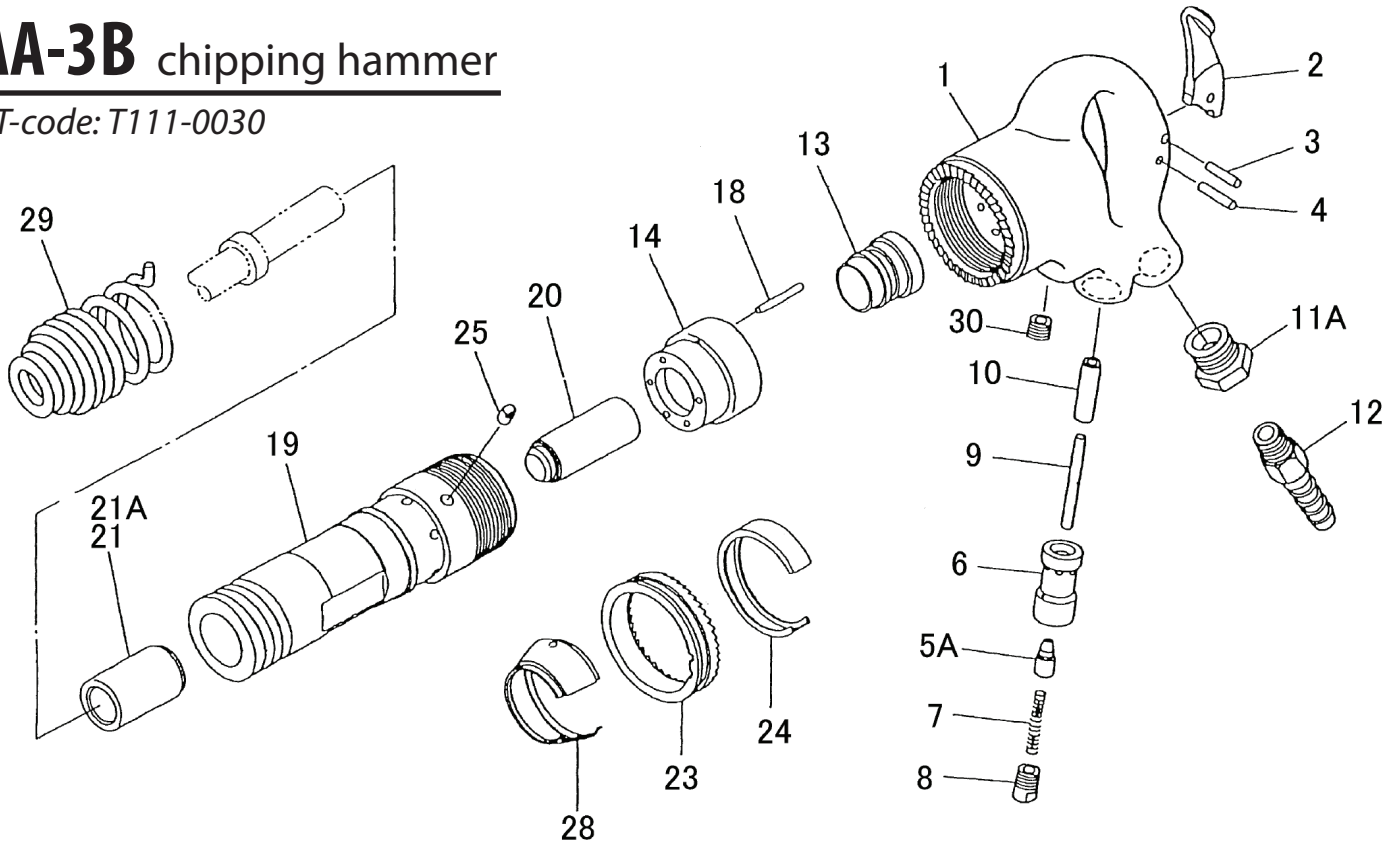


**AA-3B** chipping hammer

KT-code: T111-0030



No.	KT-Code	Part no.	Description	Required Q'ty
001	T112-0528	Y30104010	Handle	1 pc
002	T112-0350	Y30101020	Lever	1 pc
003		Y30104030	Spring pin (S) 5x18	1 pc
004		Y30104030	Spring pin (L) 5x18	1 pc
005A	T112-0260	Y10301050	Throttle valve	1 pc
006	T112-0370	Y30101040	Throttle valve bush	1 pc
007	T112-0280	Y10301070	Throttle valve spring	1 pc
008	T112-0390	Y10301080	Throttle valve cap	1 pc
009	T112-0530	Y30104090	Push rod	1 pc
010	T112-0410	Y30101100	Push rod sleeve	1 pc
011A	T112-0420	Y30101120	Screw bushing PT	1 pc
012	T112-0430	Y10301220	Hose stem 3/8x1/2	1 pc
013	T112-0540	Y30104150	Valve	1 pc
014	T112-0542	Y30104160	Valve box	1 pc
018	T112-0460	Y30101170	Valve knock	1 pc
019		Y10306180	Cylinder	1 pc
020	T112-0550	Y10306190	Piston	1 pc
021		Y3010124H	Shank bush (hex)	1 pc
021A	T112-0472	Y3010124R	Shank bush (round)	1 pc
023	T112-0558	Y30104200	Clutch	1 pc
024	T112-0560	Y30104230	Clutch band	1 pc
025	T112-0500	Y30101210	Clutch key	1 pc
028	T112-0570	Y30104220	Exhaust band	1 pc
029	T112-0520	Y10304250	Spring retainer	1 pc
030		Y30101130	Plug (type)	1 pc